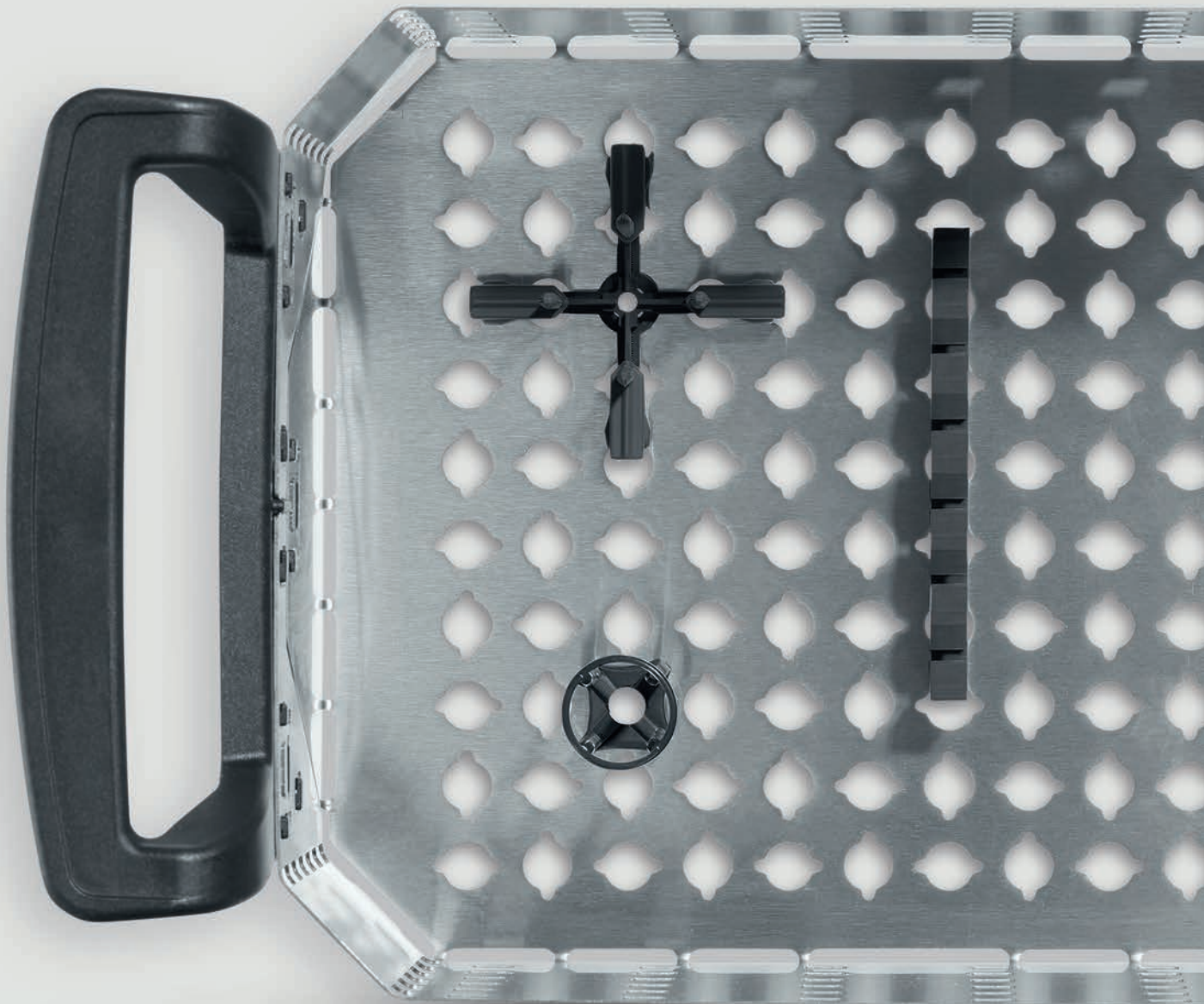


Elmasonic Table top units Accessories

Product Information



Contents

- Modular basket system	3
Modular basket	3
Level set	5
Dividing wall set.	7
Holder set	9
Silicone holder set.	11
Elma starter Set.	12
Elma Pin Set	13
Silicone holder set (Bottom comb / Side comb)	15
Basket for small parts	17
- Baskets	19
Basket	19
Stacking basket.	21
- Covers	22
Stainless steel lid.	22
Plastic lid	24
Noise protection covers.	26
- Holders and product carriers	27
Equipment holder	27
Test tube holder.	28
Holder for reaction tubes.	30
Hooks holder	32
Ring stand	34
Holding clamps for Erlenmeyer flasks.	35
Dental-Tray holder.	38
- Inserts	40
Acid resistant insert tray	40
BD-Steribox.	42
Cleaning cup	43
Cleaning glasses.	45
Immersion baskets	53
Hostal tub	55
Silicone mats.	57
Small parts holder	59
- Practicals	60
Cooling coil	60
Drain sieve	61
Sieve cleaning module SRH 4 / 200	62
- Elma Mutebox.	64
- Elma Sink	67
- Elma Dry	70

Elmasonic Accessories - Holders and product carriers

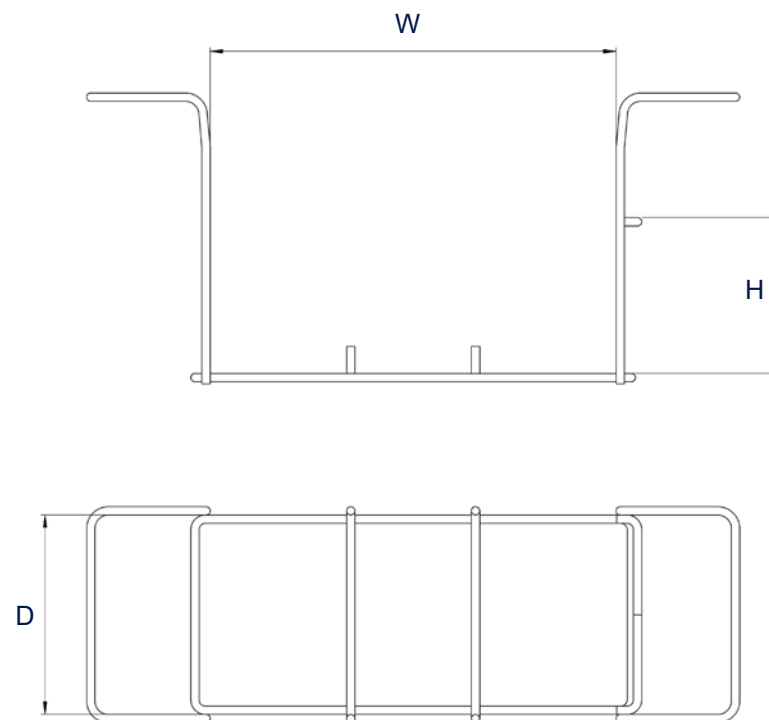
Equipment holder

- made of stainless steel and with Rilsan-coated handles
- for holding laboratory vessels e.g. glass flasks up to 1000ml



Order number	1049704
Basket int. dimension W / D / H (mm)	195 / 95 / 75
Suitable for	
Elmasonic Med, Select, Easy, P	
60	1 x
120	2 x
180	2 x
300	4 x

Dimension definition



All prices ex works, excluding packaging.

The drawings are meant as a visualization aid and are not true to scale.

Technical specifications serve as orientation values and are subject to tolerances due to production and manufacturing. Proper operation can only be guaranteed when using original Elma Units.

Product Information



Elmasonic Accessories - Holders and product carriers

Test tube holder

- made of stainless steel
- for test tubes Ø 16 mm / Ø 25 mm



	30	40	60	80	100	120	150	180	200	300
Order number	1111973			1112084			1112123			
External dimensions W / D / H (mm)	200 / 90 / 95			300 / 90 / 95			360 / 90 / 95			
Height hangers H ₁ (mm)	70			70						
Diameter hole Dia (mm)	17			17 / 26						
Max. number of test tubes	16 x Ø 16 mm			8 x Ø 16 mm + 7 x Ø 25 mm						
Suitable for	30	40	60	80	100	120	150	180	200	300
• Elmasonic Easy	1 x	1 x	2 x	4 x	2 x	2 x		2 x		4 x
• Elmasonic Med	1 x		2 x	4 x	2 x	2 x		2 x	4 x	4 x
• Elmasonic Select	1 x	1 x	2 x	4 x	2 x	2 x	4 x	2 x		4 x
• Elmasonic S	1 x	1 x	2 x	4 x	2 x	2 x	4 x	2 x		4 x
• Elmasonic P	1 x		2 x	4 x		2 x		2 x		4 x

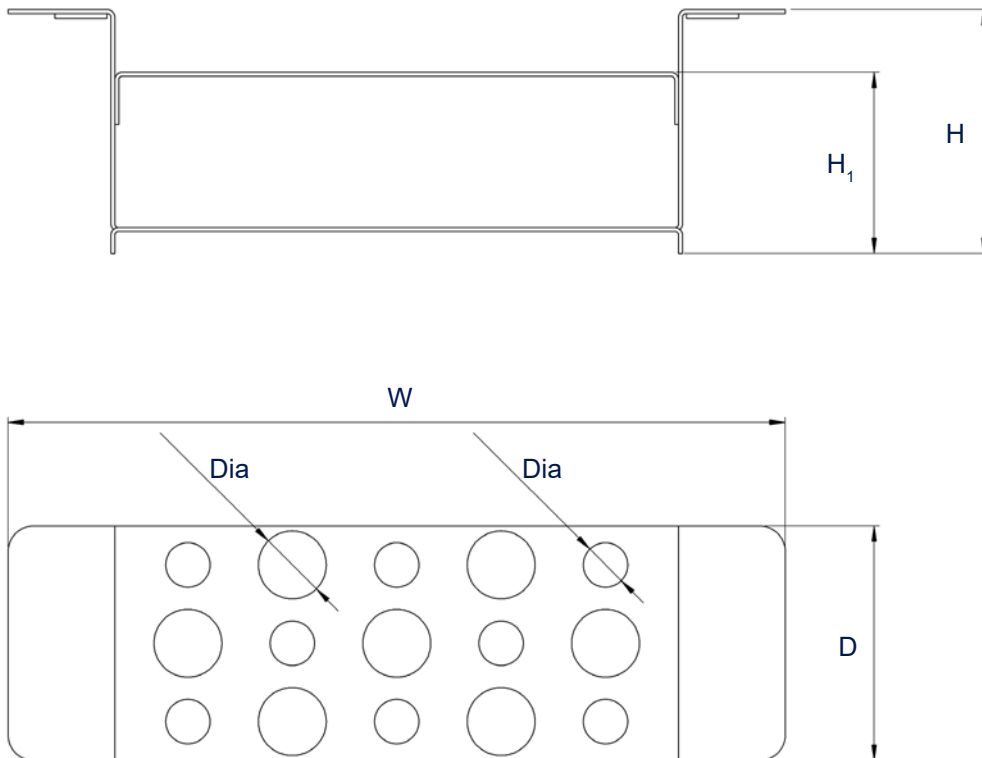
All prices ex works, excluding packaging.

Technical specifications serve as orientation values and are subject to tolerances due to production and manufacturing. Proper operation can only be guaranteed when using original Elma accessories.

Elmasonic Accessories - Holders and product carriers

Test tube holder

Dimension definition



Example of application



The drawings are meant as a visualization aid and are not true to scale.

The parts shown are for illustration purposes only and are not included in the scope of delivery.

Technical specifications serve as orientation values and are subject to tolerances due to production and manufacturing. Proper operation can only be guaranteed when using original Elma accessories.

Elmasonic Accessories - Holders and product carriers

Holder for reaction tubes

- made of stainless steel
- for reaction tubes 1,5 oder 2 ml



	100	120	150	180	200	300
Order number	1112158		1112152			
External dimensions W / D / H (mm)	300 / 90 / 70		360 / 90 / 70			
Height hangers H ₁ (mm)	35					
Diameter hole Dia (mm)	11					
Suitable for	100	120	150	180	200	300
• Elmasonic Easy	2 x	2 x		2 x		4 x
• Elmasonic Med	2 x	2 x		2 x	4 x	4 x
• Elmasonic Select	2 x	2 x	4 x	2 x		4 x
• Elmasonic S	2 x	2 x	4 x	2 x		4 x
• Elmasonic P		2 x		2 x		4 x

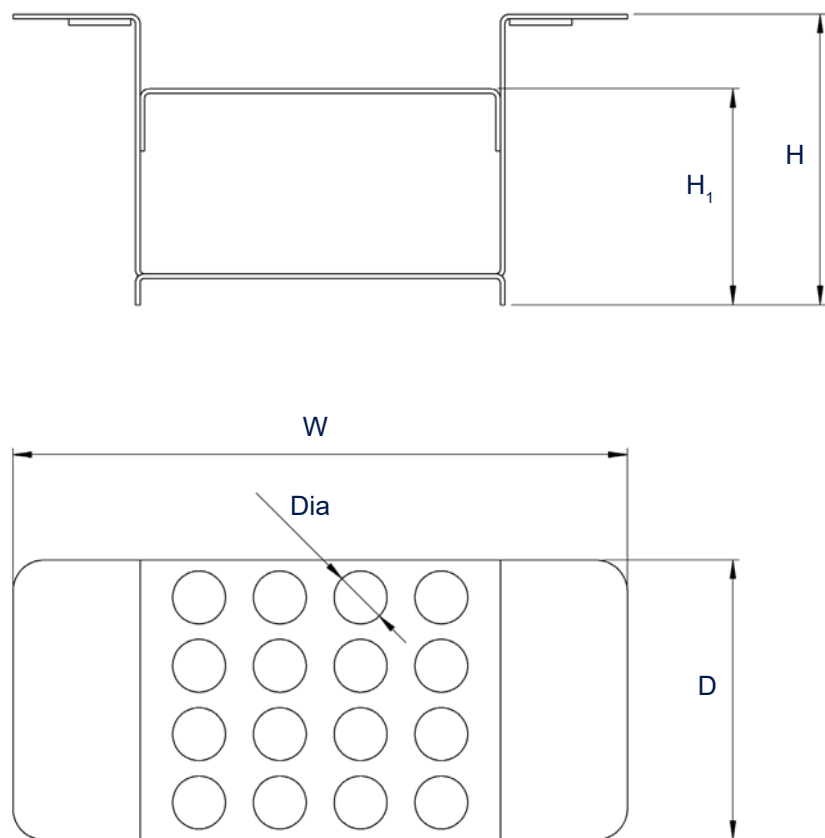
All prices ex works, excluding packaging.

Technical specifications serve as orientation values and are subject to tolerances due to production and manufacturing. Proper operation can only be guaranteed when using original Elma accessories.

Elmasonic Accessories - Holders and product carriers

Holder for reaction tubes

Dimension definition



Example of application



The drawings are meant as a visualization aid and are not true to scale.

The parts shown are for illustration purposes only and are not included in the scope of delivery.

Technical specifications serve as orientation values and are subject to tolerances due to production and manufacturing. Proper operation can only be guaranteed when using original Elma accessories.

Elmasonic Accessories - Holders and Product Carriers

Hooks holder

- with 10 hooks that can be flexibly attached
- for cleaning e.g. rings, chains, etc.
- plastic support surfaces to prevent scratching of the tray and the goods



Unit size	60	100	120	150	180	300
Order number	1117432					
Ext. dimension W / D / H (mm)	355 / 60 / 75					
Support height H ₁ (mm)	55					
Dimensions hooks Dia / D ₁ (mm)	1,7 / 55					
Max. length with 10 hooks W ₁ (mm)	250					
Suitable for	60	100	120	150	180	300
• Elmasonic Easy	1 x	2 x	2 x	5 x	4 x	5 x
• Elmasonic Med	1 x	2 x	2 x		4 x	5 x
• Elmasonic Select	1 x	2 x	2 x	5 x	4 x	5 x
• Elmasonic S	1 x	2 x	2 x	5 x	4 x	5 x
• Elmasonic P	1 x		2 x		4 x	5 x

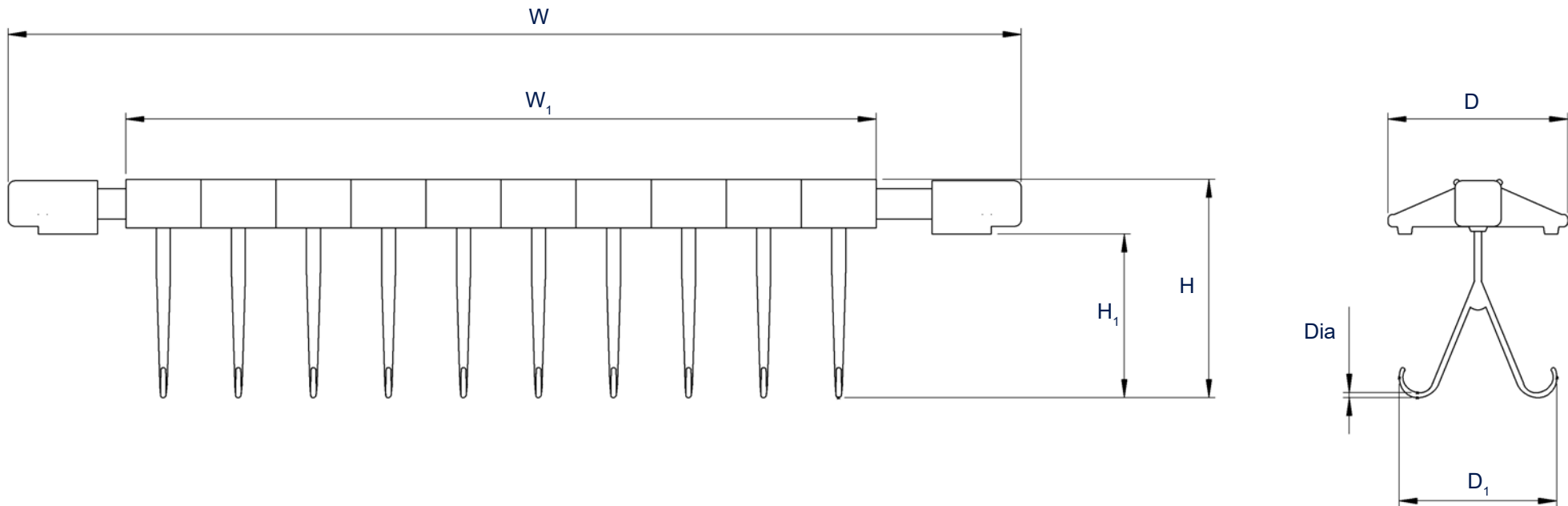
All prices ex works, excluding packaging.

Technical specifications serve as orientation values and are subject to tolerances due to production and manufacturing. Proper operation can only be guaranteed when using original Elma accessories.

Elmasonic Accessories - Holders and Product Carriers

Hooks holder

Dimension definition



The drawings are meant as a visualization aid and are not true to scale.

The parts shown are for illustration purposes only and are not included in the scope of delivery.

Technical specifications serve as orientation values and are subject to tolerances due to production and manufacturing. Proper operation can only be guaranteed when using original Elma devices.

Product Information



Elmasonic Accessories - Holders and Product Carriers

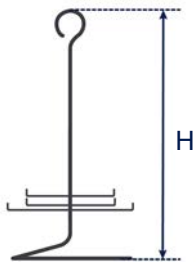
Ring stand

- made of stainless steel
- with 8 holding hooks



Order number	2070460000
Dimensions Dia / H (mm)	80 / 160

Dimension definition



All prices ex works, excluding packaging.

The drawings are meant as a visualization aid and are not true to scale.

Technical specifications serve as orientation values and are subject to tolerances due to production and manufacturing. Proper operation can only be guaranteed when using original Elma devices.

Elmasonic Accessories - Holders and Product Carriers

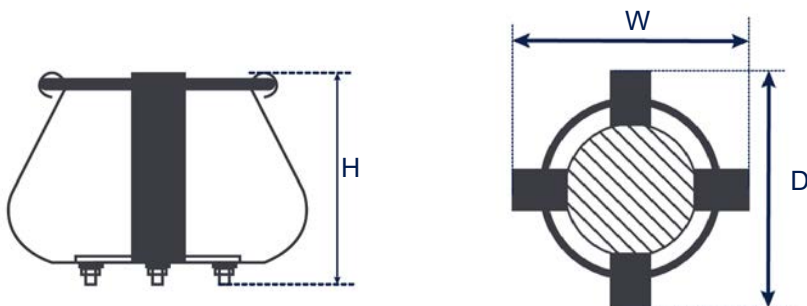
Holding clamps for Erlenmeyer flasks

- made of stainless steel
- for mounting on the bottom of a Elma cleaning basket
- the Erlenmeyer flask has a firm hold in the holding clamp due to the curved spring



	50 ml	250 ml	500 ml	1000 ml
Order number	1007553	1007555	1007557	1007558
Ext. dimensions W / D / H (mm)	55 / 55 / 50	90 / 90 / 70	110 / 110 / 85	135 / 135 / 85

Dimension definition



All prices ex works, excluding packaging.

The drawings are meant as a visualization aid and are not true to scale.

Technical specifications serve as orientation values and are subject to tolerances due to production and manufacturing. Proper operation can only be guaranteed when using original Elma accessories.

Elmasonic Accessories - Holders and Product Carriers

Holding clamps for Erlenmeyer flasks

Number of Erlenmeyer- / shaking flasks with and without holding clamp in the Elma cleaning baskets

Erlenmeyer- / shaking flasks - without holder

Passend für Gerätegröße	30	40	60	80	100	120	150	180	300
50 ml (Ø 50 mm)	6 x	6 x	9 x	16 x	16 x	16 x	40 x	25 x	40 x
250 ml (Ø 85 mm)	2 x	2 x	3 x	5 x	6 x	6 x	15 x	9 x	15 x
500 ml (Ø 105 mm)	1 x	1 x	2 x	4 x	3 x	3 x	8 x	5 x	8 x
1000 ml (Ø 131 mm)	--	--	--	--	2 x	2 x	5 x	3 x	5 x

Erlenmeyer- / shaking flasks - with holder

Passend für Gerätegröße	30	40	60	80	100	120	150	180	300
50 ml (Ø 55 mm)	6 x	5 x	8 x	15 x	14 x	12 x	38 x	20 x	38 x
250 ml (Ø 90 mm)	2 x	2 x	3 x	5 x	5 x	5 x	14 x	8 x	14 x
500 ml (Ø 110 mm)	--	--	2 x	--	3 x	2 x	8 x	5 x	8 x
1000 ml (Ø 135 mm)	--	--	--	--	2 x	1 x	5 x	3 x	5 x

Lab bottles (Duran / Schott)

Passend für Gerätegröße	30	40	60	80	100	120	150	180	300
50 ml (Ø 46 mm)	6 x	6 x	9 x	16 x	16 x	16 x	40 x	25 x	40 x
250 ml (Ø 70 mm)	2 x	2 x	4 x	7 x	9 x	9 x	18 x	12 x	18 x
500 ml (Ø 86 mm)	2 x	2 x	3 x	5 x	6 x	5 x	14 x	8 x	14 x
1000 ml (Ø 101 mm)	1 x	1 x	2 x	4 x	4 x	3 x	9 x	5 x	9 x

Technical specifications serve as orientation values and are subject to tolerances due to production and manufacturing. Proper operation can only be guaranteed when using original Elma accessories.

Elmasonic Accessories - Holders and Product Carriers

Holding clamps for Erlenmeyer flasks

Example of application



The parts shown are for illustration purposes only and are not included in the scope of delivery.

Technical specifications serve as orientation values and are subject to tolerances due to production and manufacturing. Proper operation can only be guaranteed when using original Elma devices.

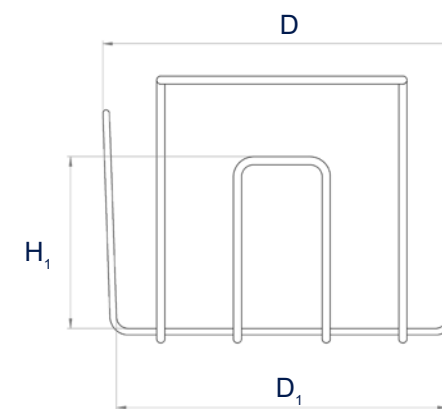
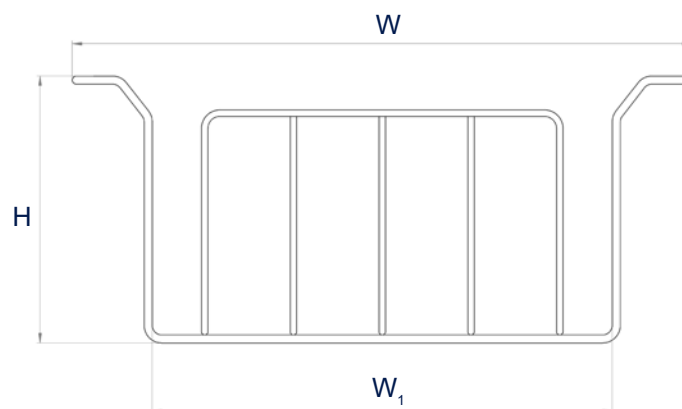
Elmasonic Accessories - Holders and Product Carriers

Dental-Tray holder

- made of stainless steel
- Holders for several dental trays 1 / 2 DIN and 3 / 4 DIN



Dimension definition



	180
Order number	1104306
Ext. dimensions W / D / H (mm)	385 / 225 / 165
Int. dimensions W ₁ / D ₁ / H ₁ (mm)	280 / 205 / 105
Suitable for	
• Elmasonic Med	•

All prices ex works, excluding packaging.

The drawings are meant as a visualization aid and are not true to scale.

Technical specifications serve as orientation values and are subject to tolerances due to production and manufacturing. Proper operation can only be guaranteed when using original Elma devices.

Elmasonic Accessories - Holders and Product Carriers

Dental-Tray holder

Example of application



The parts shown are for illustration purposes only and are not included in the scope of delivery.

Technical specifications serve as orientation values and are subject to tolerances due to production and manufacturing. Proper operation can only be guaranteed when using original Elma devices.

Elmasonic Zubehör - Inserts

Acid resistant insert tray

- for cleaning with acidic chemicals
- consist of deep-drawn polypropylene and are highly resistant to chemicals
- are hung directly into the ultrasonic unit, which is filled with little water (contact liquid) beforehand. The ultrasound is then transferred via the contact liquid into the insert tank filled with working liquid (e.g. acid)
- Lid included



	30	40	60	100	120	180	300	500
Order number	2070890000			2070900000		2070910000	2000008000	2070780000
Tank ext. dim. W / D / H (mm)	300 / 200 / 115			365 / 305 / 170		390 / 370 / 215	570 / 365 / 215	530 / 325 / 205
Tank int. dim. W / D / H (mm)	195 / 95 / 110			250 / 190 / 165		270 / 245 / 210	440 / 240 / 210	480 / 275 / 200
Recom. op. capacity V _a (l)	1,3			5,8		11,0	19,0	18,3
Suitable for	30	40	60	100	120	180	300	500
• Elmasonic Easy	•	•	•	•	•	•	•	
• Elmasonic Med	•		•	•	•	•	•	•
• Elmasonic Select	•	•	•	•	•	•	•	•
• Elmasonic S	•	•	•	•	•	•	•	•
• Elmasonic P	•		•		•	•	•	

All prices ex works, excluding packaging.

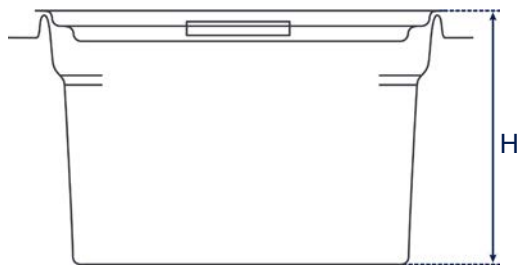
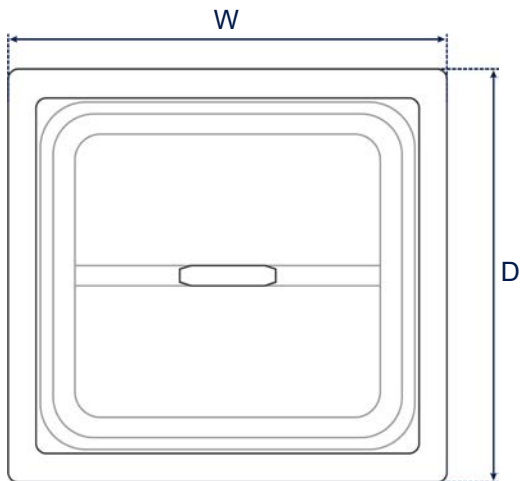
Technical specifications serve as orientation values and are subject to tolerances due to production and manufacturing. Proper operation can only be guaranteed when using original Elma accessories.

Elmasonic Accessory - Inserts

Acid resistant insert tray

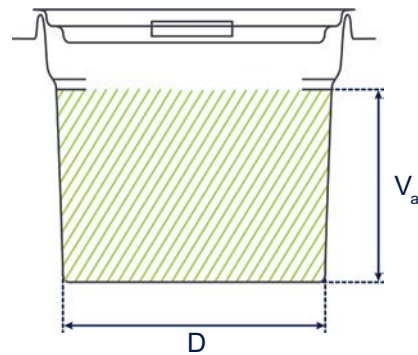
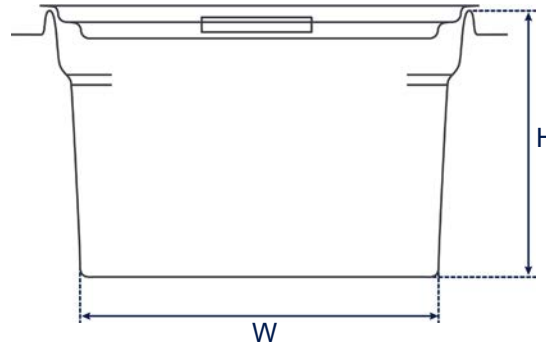
Dimension definition

Tank outer dimensions



Tank internal dimensions

V_a : recommended operating capacity of the cleaning tank
(The actual operating capacity depends on the load.)



The drawings are meant as a visualization aid and are not true to scale.

Technical specifications serve as orientation values and are subject to tolerances due to production and manufacturing. Proper operation can only be guaranteed when using original Elma accessories.

Elmasonic Accessories - Inserts

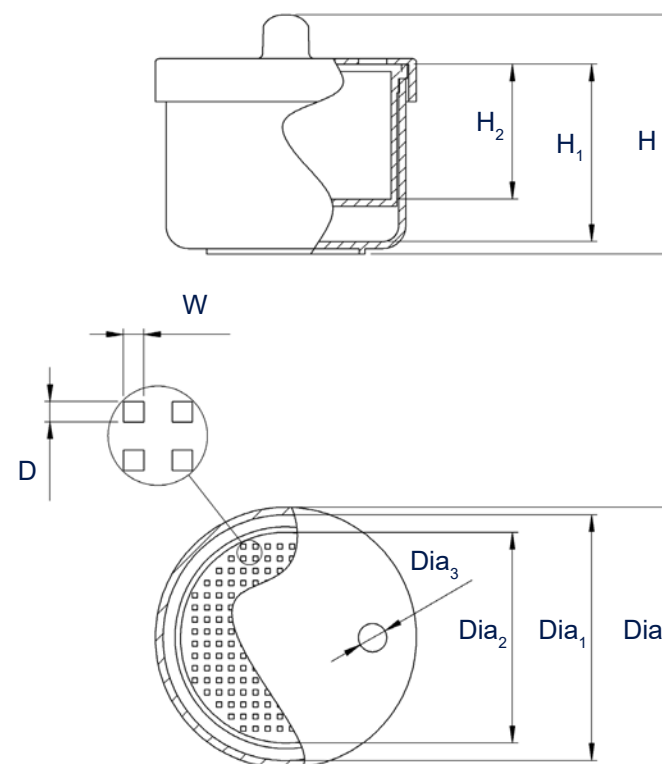
BD-Steribox

- made of plastic
- with opening in the lid
- with removable sieve for rinsing the contents
- for use in the ultrasonic bath placed directly in the basket or hung over an insert cover



Order number	1105991
Ext. dimensions Dia / H (mm)	95 / 85
Int. dimensions Dia ₁ / H ₁ (mm)	75 / 55
Opening dimensions Cover Dia ₃ (mm)	10
Int. dimensions sieve Dia ₂ / H ₂ (mm)	70 / 45
Opening dimensions sieve bottom W / D (mm)	1,8 / 1,8
Capacity max. (ml)	300

Dimension definition



All prices ex works, excluding packaging.

The drawings are merely included as a visualization aid and are not true to scale.

Technical specifications serve as orientation values and are subject to tolerances due to production and manufacturing. Proper operation can only be guaranteed when using original Elma accessories.

Elmasonic Accessories - Inserts

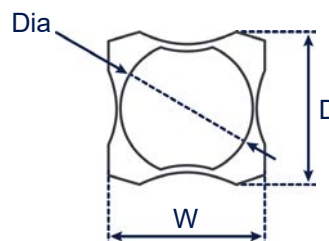
Cleaning cup

- made of plastic
- Lid included
- The cleaning cups can be
 - placed directly in the basket for ultrasonic cleaning devices size 10
 - or hung via an insert cover in the ultrasonic bath.



	Blue	White
Order number	2000001582	2000001581
Ext. dimensions W / D / H (mm)	95 / 90 / 55	
Diameter Dia (mm)	75	

Dimension definition



All prices ex works, excluding packaging, plus VAT.

The drawings are merely included as a visualization aid and are not true to scale.

Technical specifications serve as orientation values and are subject to tolerances due to production and manufacturing. Proper operation can only be guaranteed when using original Elma accessories.

Elmasonic Accessories - Inserts

Cleaning cup

Example of application



The parts shown are for illustration purposes only and are not included in the scope of delivery.

Technical specifications serve as orientation values and are subject to tolerances due to production and manufacturing. Proper operation can only be guaranteed when using original Elma Units.

Elmasonic Accessories - Inserts

Cleaning glasses

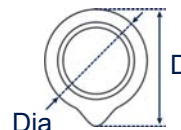
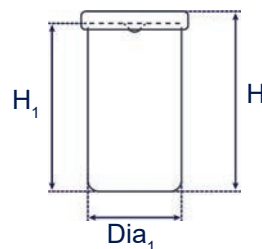
- can be used for simultaneous cleaning of parts with different chemicals, for removing abrasive substances or for cleaning with aggressive chemicals (e.g. acids or alkalis)
- can either be placed directly in a cleaning basket or in combination with an insert cover be hung in the ultrasonic bath
- Plastic lid and rubber ring included



	150 ml (without plastic cover)	600 ml	600 ml	1000 ml
Order number	1111834	1117632	1047272	1047376
Glas with cover dimensions ext. Dia / H / D (mm)	80 / 85 / 95	100 / 155 / 110	110 / 135 / 125	110 / 185 / 125
Glas dimensions internal Dia ₁ / H ₁ (mm)	55 / 60	75 / 145	80 / 105	85 / 160
Rubber ring external diameter Dia _R (mm)	70		100	

Dimension definition

Cleaning glas
with plastic
cover



Rubber ring



All prices ex works, excluding packaging.

The drawings are meant as a visualization aid and are not true to scale.

Technical specifications serve as orientation values and are subject to tolerances due to production and manufacturing. Proper operation can only be guaranteed when using original Elma accessories.

Product Information



Elmasonic Accessories - Inserts

Cleaning glasses

Example of application



The parts shown are for illustration purposes only and are not included in the scope of delivery.

Technical specifications serve as orientation values and are subject to tolerances due to production and manufacturing. Proper operation can only be guaranteed when using original Elma devices.

Elmasonic Accessories - Inserts

Insert cover

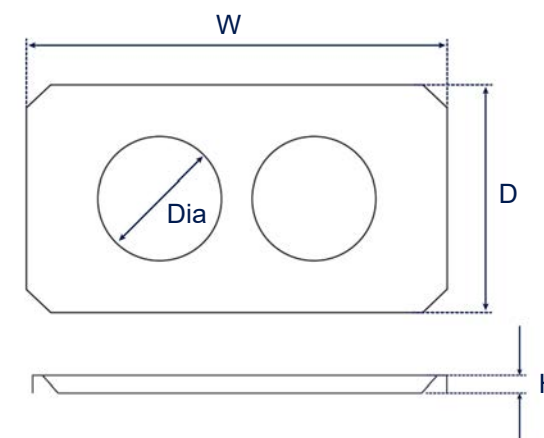
- made of stainless steel
- with 2 rubber rings
- to be placed on the ultrasonic cleaning device
- for 2 glasses or 2 cleaning cups



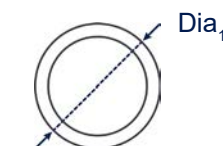
	10	30	40	80	100	120	60	150	180	300	
Order number	2070520000	2070300000					2070930000				
External dimensions W / D / H (mm)	210 / 105 / 10	270 / 170 / 15					330 / 180 / 15				
Diameter cover hole Dia (mm)	85	95									
External Diameter rubber ring Dia ₁ (mm)	100										
Suitable for	10	30	40	80	100	120	60	150	180	300	
• Elmasonic Easy	1 x	1 x	1 x		2 x	2 x	1 x		2 x	3 x	
• Elmasonic Med		1 x			2 x	2 x	1 x		2 x	3 x	
• Elmasonic Select		1 x	1 x	2 x	2 x	2 x	1 x	3 x	2 x	3 x	
• Elmasonic S	1 x	1 x	1 x	2 x	2 x	2 x	1 x	3 x	2 x	3 x	
• Elmasonic P		1 x				2 x	1 x		2 x	3 x	

Dimension definition

Insert cover



Rubber ring



All prices ex works, excluding packaging.

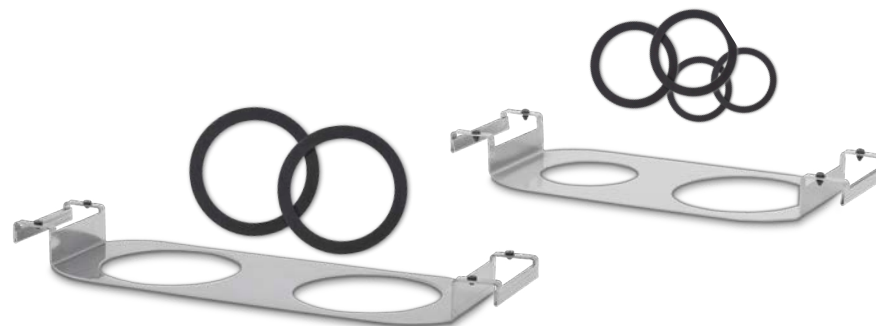
The drawings are meant as a visualization aid and are not true to scale.

Technical specifications serve as orientation values and are subject to tolerances due to production and manufacturing. Proper operation can only be guaranteed when using original Elma accessories.

Elmasonic Accessories - Inserts

Insert cover

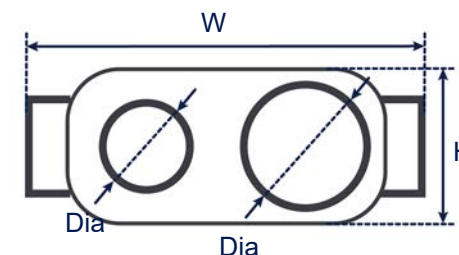
- made of stainless steel
- with 2 rubber rings
- for hanging in the ultrasonic bath
- for 2 glasses or 2 cleaning cups



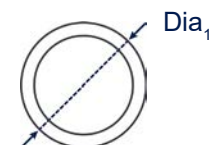
	30	40	60
Order number	1110262		1110261
External dimensions W / D / H (mm)	285 / 110 / 35		350 / 110 / 35
Diameter cover hole Dia (mm)	65 / 90		95
External Diameter rubber ring Dia ₁ (mm)	70 / 95		100
Suitable for	30	40	60
• Elmasonic Easy	•	•	•
• Elmasonic Med	•	•	•
• Elmasonic Select	•	•	•
• Elmasonic S	•	•	•
• Elmasonic P	•	•	•

Dimension definition

Insert cover



Rubber ring



All prices ex works, excluding packaging.

The drawings are meant as a visualization aid and are not true to scale.

Technical specifications serve as orientation values and are subject to tolerances due to production and manufacturing. Proper operation can only be guaranteed when using original Elma accessories.

Elmasonic Accessories - Inserts

Insert cover

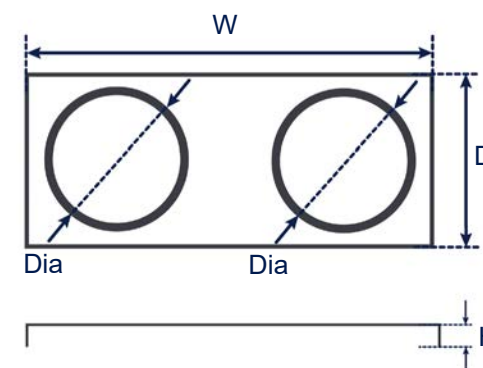
- made of stainless steel
- with 2 rubber rings
- for hanging in the cleaning basket
- for 2 glasses or 2 cleaning cups



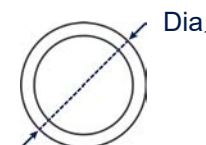
	150	180	300
Order number	1110260		
External dimensions W / D / H (mm)	260 / 110 / 20		
Diameter cover hole Dia (mm)	95		
External Diameter rubber ring Dia ₁ (mm)	100		
Suitable for	150	180	300
• Elmasonic Easy		2 x	3 x
• Elmasonic Med		2 x	3 x
• Elmasonic Select	3 x	2 x	3 x
• Elmasonic S	3 x	2 x	3 x
• Elmasonic P		2 x	3 x

Dimension definition

Insert cover



Rubber ring



All prices ex works, excluding packaging.

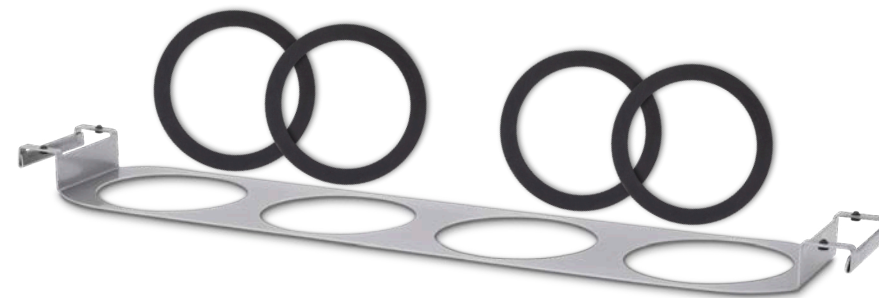
The drawings are meant as a visualization aid and are not true to scale.

Technical specifications serve as orientation values and are subject to tolerances due to production and manufacturing. Proper operation can only be guaranteed when using original Elma accessories.

Elmasonic Accessories - Inserts

Insert cover

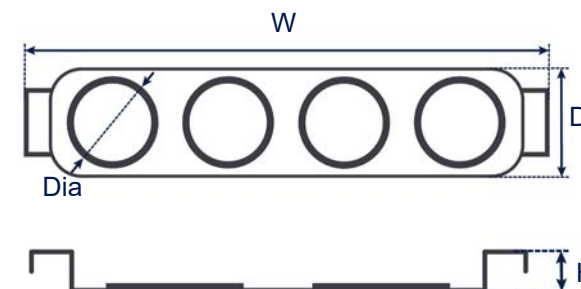
- made of stainless steel
- with 4 rubber rings
- for hanging in the ultrasonic bath
- for 4 glasses or 4 cleaning cups



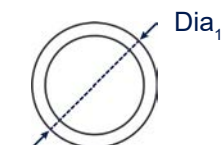
	80
Order number	1111906
External dimensions W / D / H (mm)	550 / 130 / 40
Diameter cover hole Dia (mm)	95
External Diameter rubber ring Dia ₁ (mm)	100
Suitable for	80
• Elmasonic Select	•
• Elmasonic S	•

Dimension definition

Insert cover



Rubber ring



All prices ex works, excluding packaging.

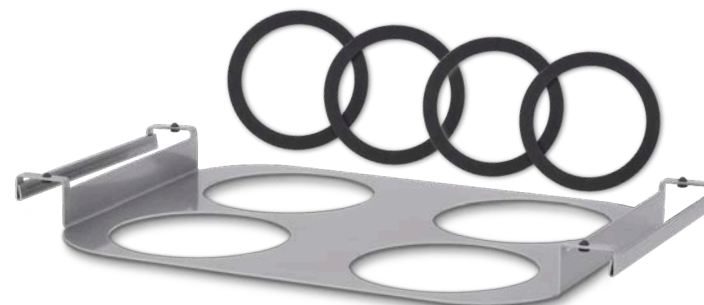
The drawings are meant as a visualization aid and are not true to scale.

Technical specifications serve as orientation values and are subject to tolerances due to production and manufacturing. Proper operation can only be guaranteed when using original Elma accessories.

Elmasonic Accessories - Inserts

Insert cover

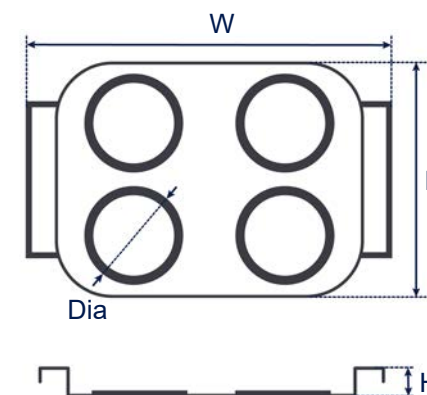
- made of stainless steel
- with 4 rubber rings
- for hanging in the ultrasonic bath
- for 4 glasses or 4 cleaning cups



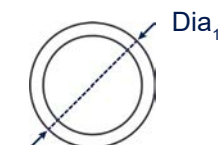
	100	120	180
Order number	1111909		1111921
External dimensions W / D / H (mm)	350 / 230 / 40		380 / 20 / 35
Diameter cover hole Dia (mm)	95		
External Diameter rubber ring Dia ₁ (mm)	100		
Suitable for	100	120	180
• Elmasonic Easy	•	•	•
• Elmasonic Med	•	•	•
• Elmasonic Select	•	•	•
• Elmasonic S	•	•	•
• Elmasonic P	•	•	•

Dimension definition

Insert cover



Rubber ring



All prices ex works, excluding packaging.

The drawings are meant as a visualization aid and are not true to scale.

Technical specifications serve as orientation values and are subject to tolerances due to production and manufacturing. Proper operation can only be guaranteed when using original Elma accessories.

Elmasonic Accessories - Inserts

Insert cover

Example of application



The parts shown are for illustration purposes only and are not included in the scope of delivery.

Technical specifications serve as orientation values and are subject to tolerances due to production and manufacturing. Proper operation can only be guaranteed when using original Elma devices.

Elmasonic Accessories - Inserts

Immersion baskets

- made of plastic and stainless steel
- can - depending on the device size:
 - be hung individually or several times in the ultrasonic bath,
 - be placed individually or several times in a cleaning basket or
 - be immersed individually in a cleaning glass



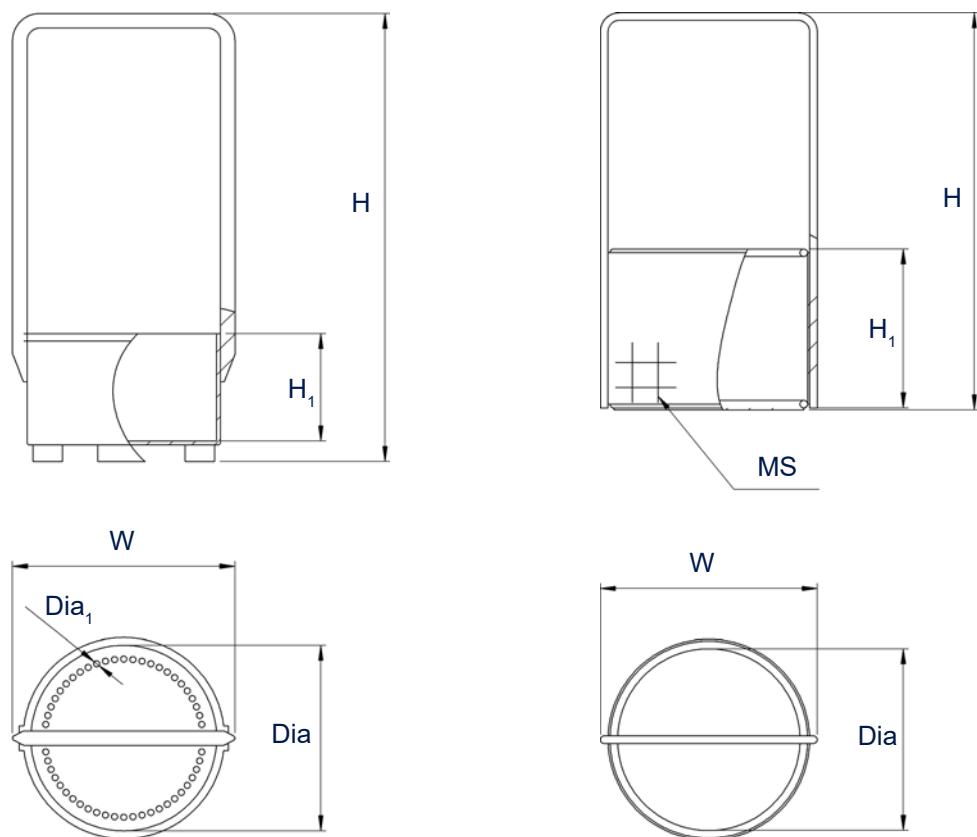
Order number	2070380000	1117636	2070540000	1116797	1007545
Ext. dim. W / H (mm)	90 / 180	55 / 75	75 / 140	85 / 105	90 / 160
Int. dim. Dia / H ₁ (mm)	70 / 40	45 / 30	55 / 60	65 / 60	70 / 60
Material	plastic	stainless steel			
Diameter Dia ₁ / Mesh size (mm)	2,4	1x1x0,5			
Suitable for cleaning glass	1000 ml (1047376)	150 ml (1111834)	600 ml slim / high (1117632)	600 ml wide / low (1047272)	1000 ml (1047376)

All prices ex works, excluding packaging.

Technical specifications serve as orientation values and are subject to tolerances due to production and manufacturing. Proper operation can only be guaranteed when using original Elma accessories.

Elmasonic Accessories - Inserts

Dimension definition



Example of application



The drawings are meant as a visualization aid and are not true to scale.

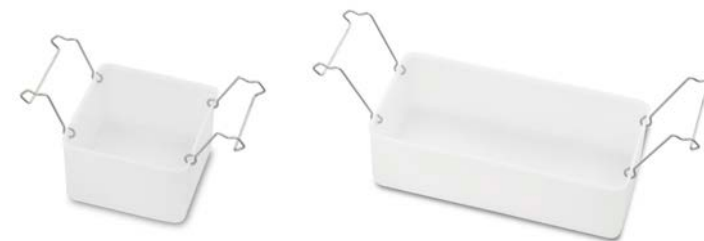
The parts shown are for illustration purposes only and are not included in the scope of delivery.

Technical specifications serve as orientation values and are subject to tolerances due to production and manufacturing. Proper operation can only be guaranteed when using original Elma devices.

Elmasonic Accessories - Inserts

Hostal tub

- for cleaning of smallest parts
- protects sensitive parts from damage



	Small		Big	Big with long temples
Order number	2070390000		207040000	2070600000
Ext. dimension W / D / H (mm)	185 / 105 / 95		280 / 105 / 100	280 / 105 / 125
Int. dimension W ₁ / D ₁ / H ₁ (mm)	90 / 90 / 55		195 / 90 / 55	
Hole diameter Dia (mm)	2			
Suitable for	15	20	30	40
• Elmasonic Easy		•	•	•
• Elmasonic Med			•	
• Elmasonic Select			•	•
• Elmasonic S	•		•	
• Elmasonic P			•	

All prices ex works, excluding packaging.

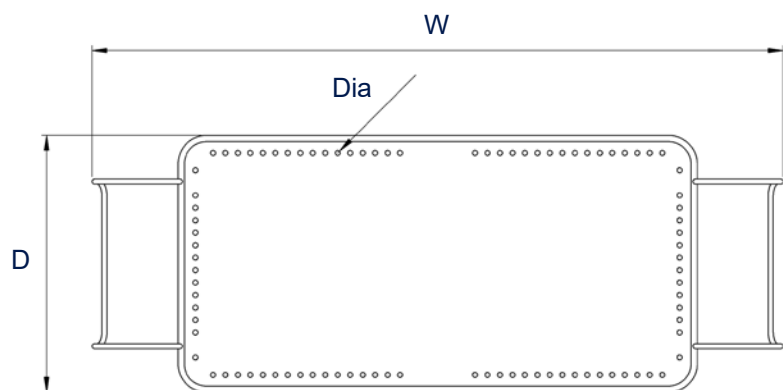
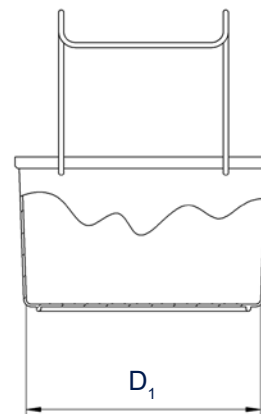
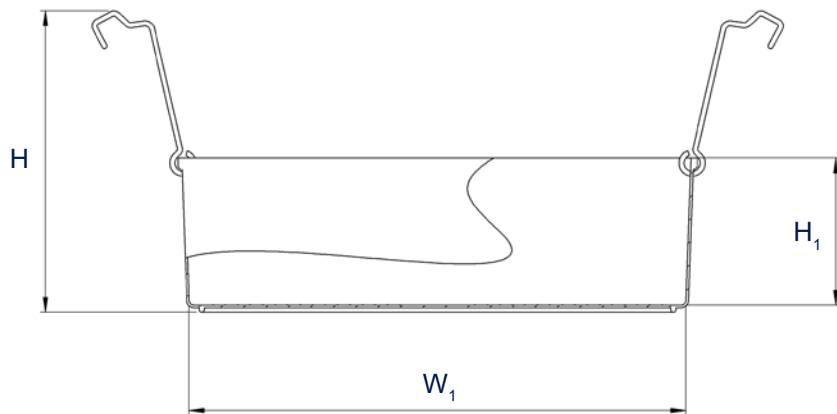
The drawings are merely included as a visualization aid and are not true to scale.

Technical specifications serve as orientation values and are subject to tolerances due to production and manufacturing. Proper operation can only be guaranteed when using original Elma Units.

Elmasonic Accessories - Inserts

Hostal tub

Dimension definition



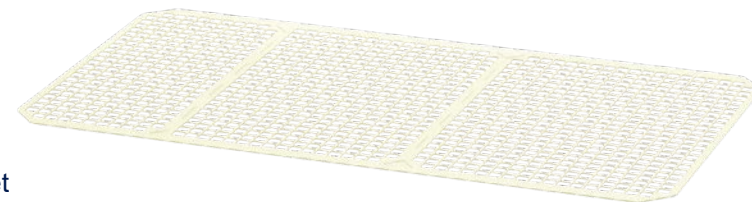
The drawings are merely included as a visualization aid and are not true to scale.

Technical specifications serve as orientation values and are subject to tolerances due to production and manufacturing. Proper operation can only be guaranteed when using original Elma Units.

Elmasonic Accessory - Inserts

Silicone mats

- to be placed into the basket for sensitive parts protection
- The silicone mats with order numberS 1082378 and 1117991 must be cut accordingly for the different basket sizes (see cutting guide)
- the silicone mat with order number 1082379 is not cut to size



	30	60	100	120	150	180	300	300	450	500	600	800	900
Order number	1082379	1082378						1117991					
Ext. Dimensions W / D / H (mm)	193 / 100 / 1	450 / 245 / 1						560 / 460 / 1					
Mesh size Y x Z (mm)	5,5 x 1	7,5 x 1						7,5 x 1,5					
Suitable for	30	60	100	120	150	180	300	300	450	500	600	800	900
• Elmasonic Easy	•	•	•	•		•	•						
• Elmasonic Med	•	•	•	•		•	•			•			•
• Elmasonic Select	•	•	•	•	•	•	•			•			•
• Elmasonic S	•	•	•	•	•	•	•		•				•
• Elmasonic P	•	•	•	•		•	•						
• Elmadry TD	•			•			•						
• Elmasonic xtra ST								•		•	•	•	

All prices ex works, excluding packaging.

Technical specifications serve as orientation values and are subject to tolerances due to production and manufacturing. Proper operation can only be guaranteed when using original Elma accessories.

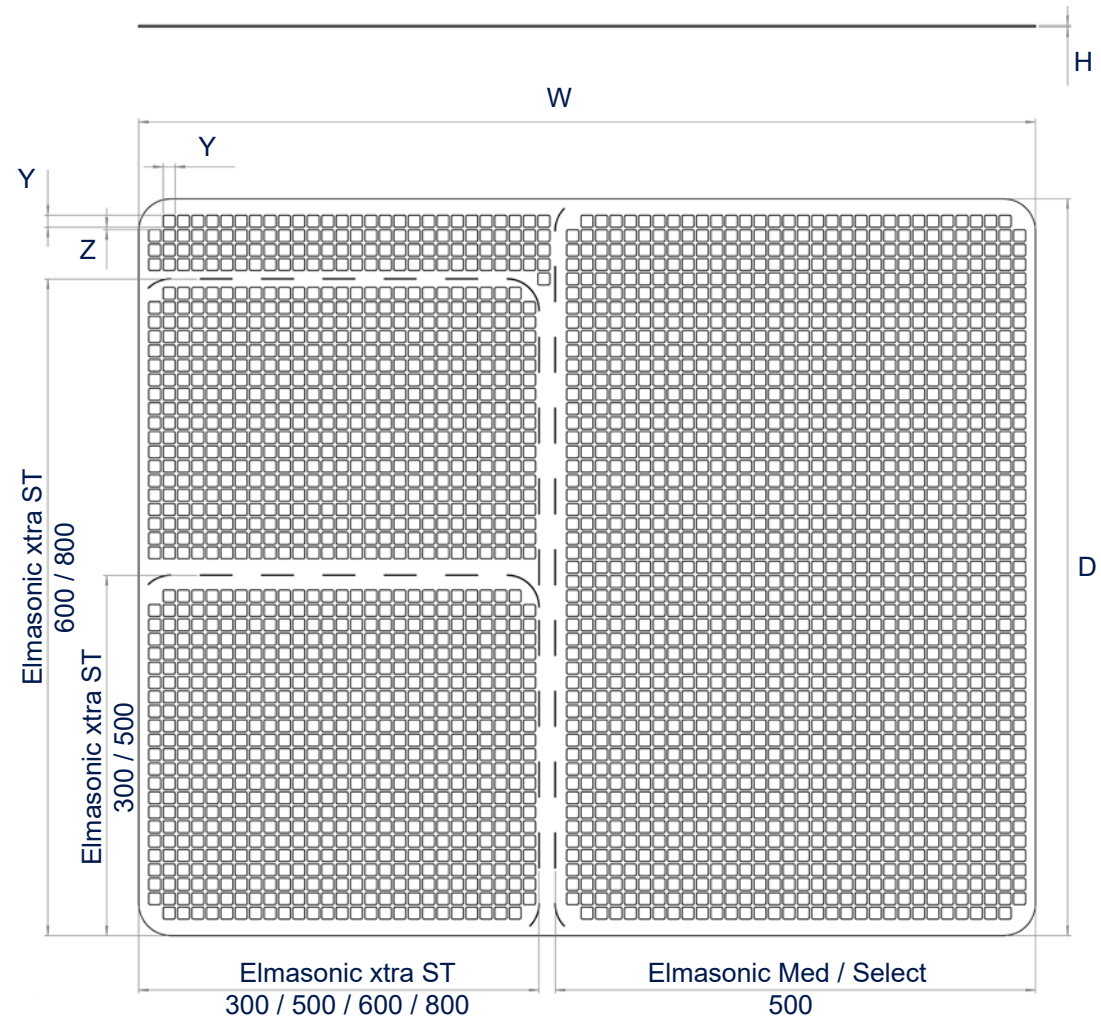
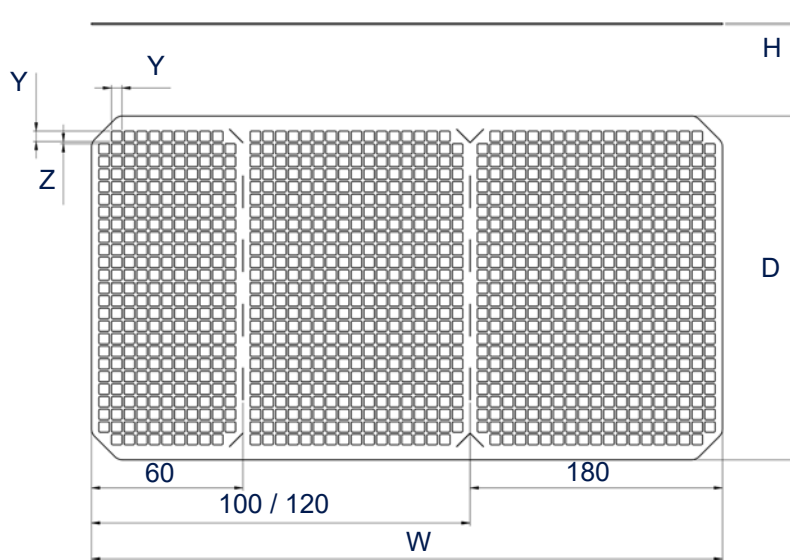
Elmasonic Accessory - Inserts

Silicone mats

Dimension definition and cutting guide

Order number 1082378

Order number 1117991



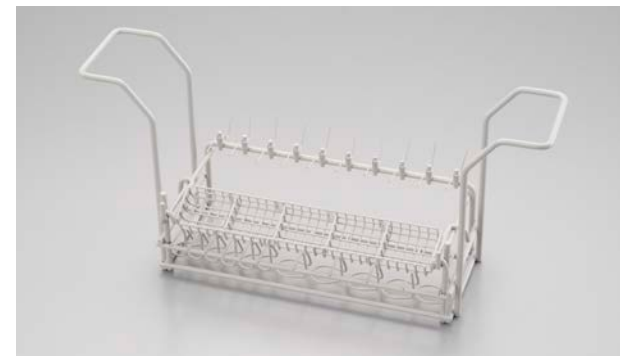
The drawings are meant as a visualization aid and are not true to scale.

Technical specifications serve as orientation values and are subject to tolerances due to production and manufacturing. Proper operation can only be guaranteed when using original Elma accessories.

Elmasonic Accessories - Inserts

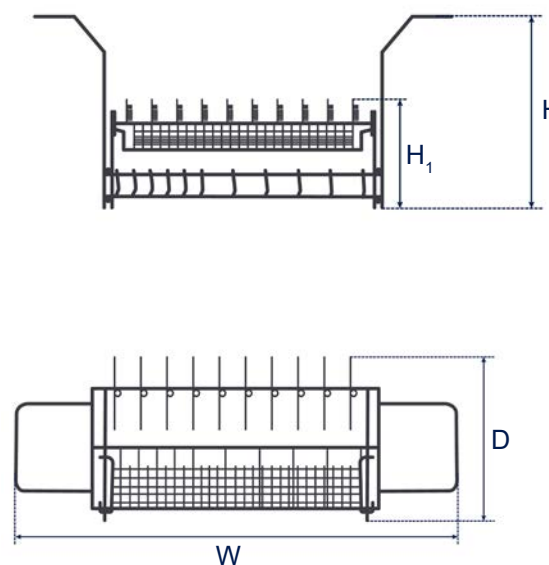
Small parts holder

- made of stainless steel and Rislan coating to protect delicate parts
- with 10 double hangers, 10 compartments and a subdivided, removable small basket insert (5 compartments à 30x25 mm)



	30	40	60	100	120
Order number	1032059				
External dimensions W / D / H (mm)	305 / 115 / 140				
Height hangers H ₁ (mm)	75				
Suitable for	30	40	60	100	120
• Elmasonic Easy	1 x	1 x	1 x	2 x	2 x
• Elmasonic Med	1 x		1 x	2 x	2 x
• Elmasonic Select	1 x	1 x	1 x	2 x	2 x
• Elmasonic S	1 x	1 x	1 x	2 x	2 x
• Elmasonic P	1 x		1 x	2 x	2 x

Dimension definition



All prices ex works, excluding packaging.

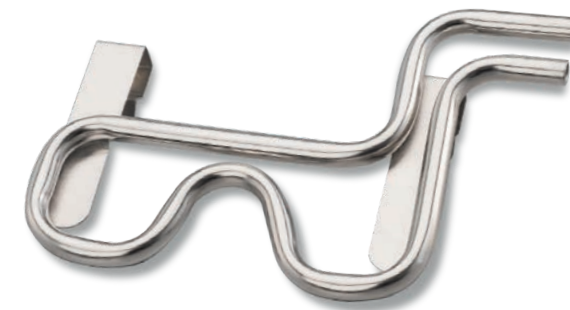
The drawings are meant as a visualization aid and are not true to scale.

Technical specifications serve as orientation values and are subject to tolerances due to production and manufacturing. Proper operation can only be guaranteed when using original Elma accessories.

Elmasonic Accessories- Practicals

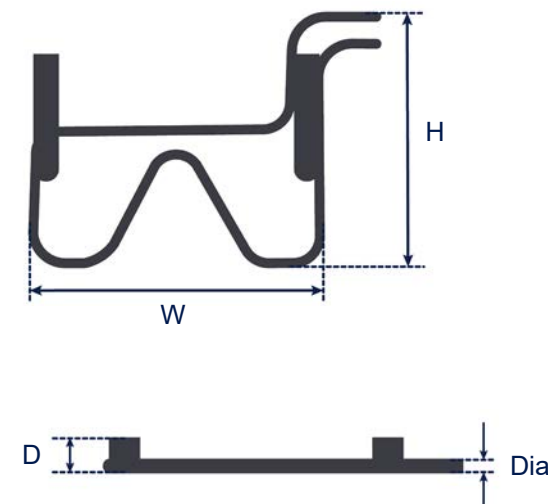
Cooling coil

- made of stainless steel
- for connection to a closed-circuit recirculating chiller (cryostat)
- for reducing or stabilising the process temperature in the ultrasonic bath
- use of several cooling coils in combination is possible
- optimal for thermostable processes



	40	70	150	60	80	100	120	130	180	300
Order number	1038735			1037515						
External dimensions W / D / H (mm)	180 / 25 / 130			200 / 25 / 175						
Outer diameter Dia (mm)	10									
Suitable for	40	70	150	60	80	100	120	130	180	300
• Elmasonic Easy	•			•		•	•		•	•
• Elmasonic Med				•		•	•		•	•
• Elmasonic Select	•		•	•	•	•	•		•	•
• Elmasonic S	•	•	•	•	•	•	•	•	•	•
• Elmasonic P		•		•			•		•	•

Dimension definition



All prices ex works, excluding packaging.

The drawings are meant as a visualization aid and are not true to scale.

Technical specifications serve as orientation values and are subject to tolerances due to production and manufacturing. Proper operation can only be guaranteed when using original Elma accessories.

Elmasonic Accessories - Practicals

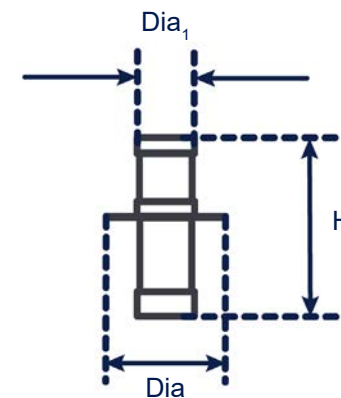
Drain sieve

- made of stainless steel
- for use in the drain of an Elmasonic ultrasonic device of size 30 to 300
- dirt particles ≥ 0.15 mm are caught in the wire mesh of the drain strainer and thus cannot clog the water drain
- Smallest parts ≥ 0.15 mm are caught with the drain sieve



Order number	1045648
Dimensions ext. Dia / H (mm)	21 / 35
Diameter sieve Dia ₁ (mm)	10
Mesh size wire mesh (mm)	0,15 x 0,15

Dimension definition



All prices ex works, excluding packaging.

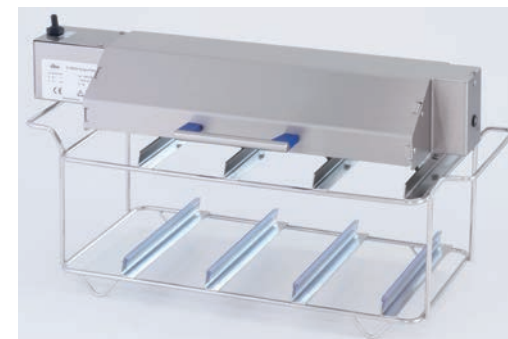
The drawings are meant as a visualization aid and are not true to scale.

Technical specifications serve as orientation values and are subject to tolerances due to production and manufacturing. Proper operation can only be guaranteed when using original Elma accessories.

Elmasonic Accessories - Practicals

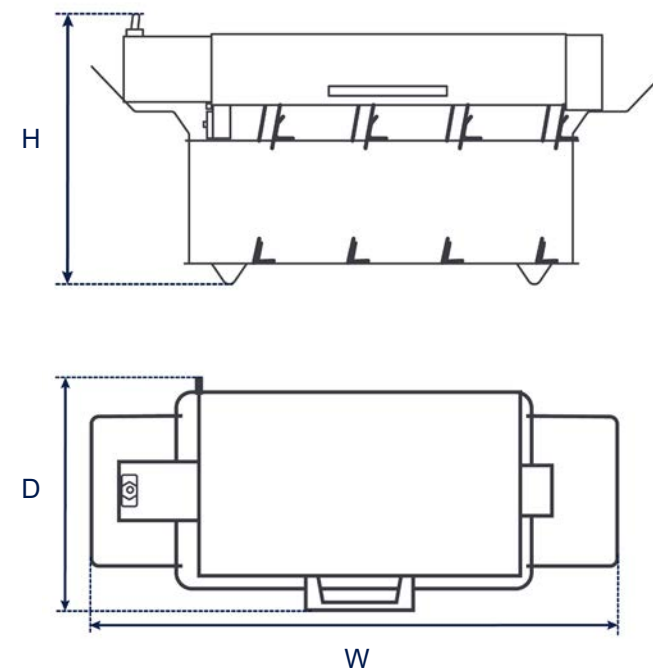
Sieve cleaning module SRH 4 / 200

- made of stainless steel and with integrated rotating unit
- up to 4 test sieves [Ø up to 200 / 203 mm (8")] can be cleaned simultaneously in the ultrasonic bath with the SRH 4 / 200. The inclined position of the sieves in the SRH 4 / 200 ensures a better cleaning and rinsing effect
- for gentle cleaning of the test sieves without changing the mesh size or fabric tension. This ensures that the dimensional accuracy and calibration of the sieves is maintained 100 %



	300	450	500	900
Order number 230V	1042706			
Order number 115V	1044904			
Dimensions W / D / H	675 / 295 / 330			
Weight (kg)	6,8			
Suitable for	300	450	500	900
• Elmasonic Easy	1 x			
• Elmasonic Med	1 x			
• Elmasonic Select	1 x	1 x		2 x
• Elmasonic S	1 x		1 x	2 x
• Elmasonic P	1 x			

Dimension definition



All prices ex works, excluding packaging.

The drawings are meant as a visualization aid and are not true to scale.

Technical specifications serve as orientation values and are subject to tolerances due to production and manufacturing. Proper operation can only be guaranteed when using original Elma devices.

Elmasonic Accessories - Practicals

Sieve cleaning module SRH 4 / 200

Example of application



The parts shown are for illustration purposes only and are not included in the scope of delivery.

Technical specifications serve as orientation values and are subject to tolerances due to production and manufacturing. Proper operation can only be guaranteed when using original Elma devices.

Elmasonic Accessory - Elma Mutebox

Noise protection box

- Noise of the ultrasonic cleaning unit operated in the mute box is reduced by max. 85
- vapors are exhausted via a silenced drain, so that no heat or moisture builds up inside the box
build-up of moisture inside the box
- laterally arranged halogen lamps
- Stainless steel jacket
- Product contents:

Elma Mutebox ML: 1x Elma Mutebox ML, 1x Bottom tray with gland plate, 1x Power supply unit, 1x Manual

Elma Mutebox XL: 1x Elma Mutebox XL, 2x Bottom tray with gland plate, 1x splash plate, 1x Power supply unit, 1x Manual



Ultrasonic devices not included in the scope of delivery

Unit size	10	20	30	40	60	100	120	180	70	80	150	200	300
Size	ML								XL				
Order number	1111901								1123006				
Suitable for unit size	10	20	30	40	60	100	120	180	70	80	150	200	300
• Elmasonic Easy	•	•	•	•	•	•	•	•					•
• Elmasonic Med			•		•	•	•	•				•	•
• Elmasonic Select			•	•	•	•	•	•		•	•		•
• Elmasonic P			•		•		•	•	•				•
• Elmasonic xtra TT			•		•		•					•	

All prices ex works, excluding packaging.

Elmasonic device in the picture is for illustration only and is not included in the price.

Technical specifications serve as orientation values and are subject to tolerances due to production and manufacturing. Proper operation can only be guaranteed when using original Elma accessories.

Elmasonic Accessory - Elma Mutebox

Noise protection box

Technical Data

Unit size	10	20	30	40	60	100	120	180	70	80	150	200	300
Ext. Dimensions W / D / H (mm) (Lid and door closed)	545 / 530 / 525								860 / 605 / 525				
Ext. Dimensions W ₁ / D ₁ / H ₁ (mm) (Lid and door open)	555 / 975 / 1015								860 / 975 / 1085				
Int. Dimensions W ₂ / D ₂ / H ₂ (mm)	430 / 380 / 445								710 / 450 / 445				
Weight (kg)	18,9								26,2				
Mains voltage (V~)	100 - 240												

All prices ex works, excluding packaging.

Elmasonic device in the picture is for illustration only and is not included in the price.

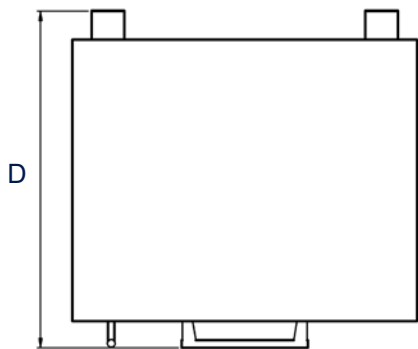
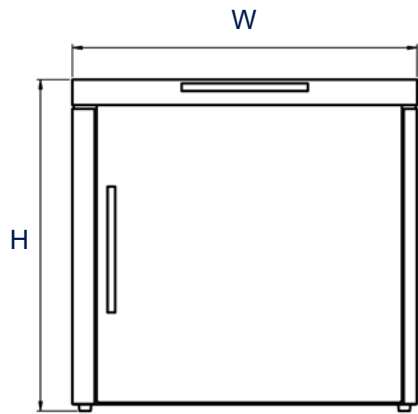
Technical specifications serve as orientation values and are subject to tolerances due to production and manufacturing. Proper operation can only be guaranteed when using original Elma accessories.

Elmasonic Accessory - Elma Mutebox

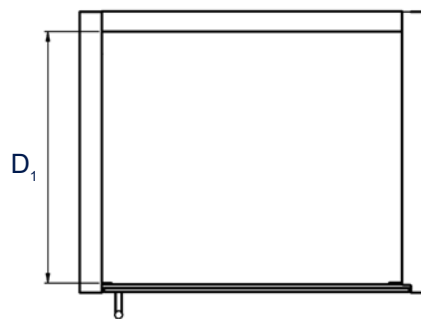
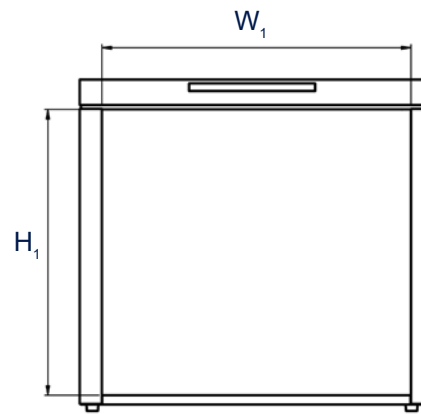
Noise protection box

Dimension definition

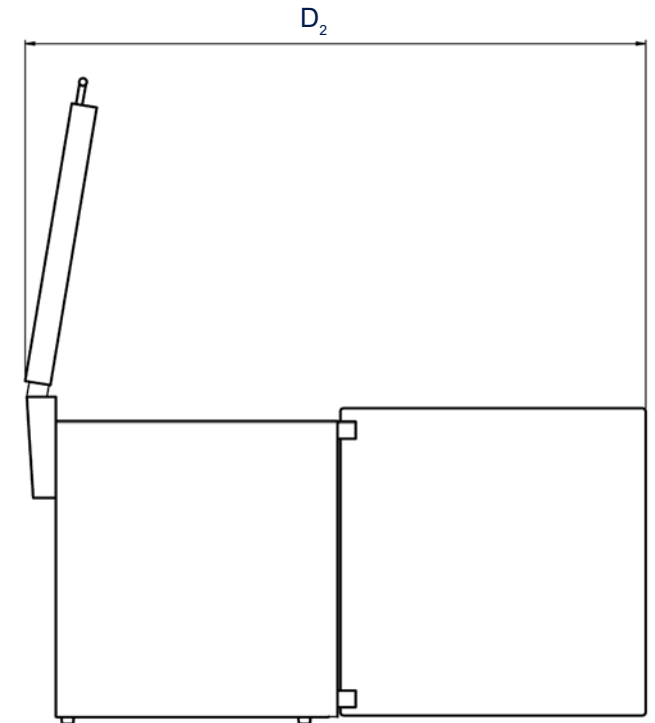
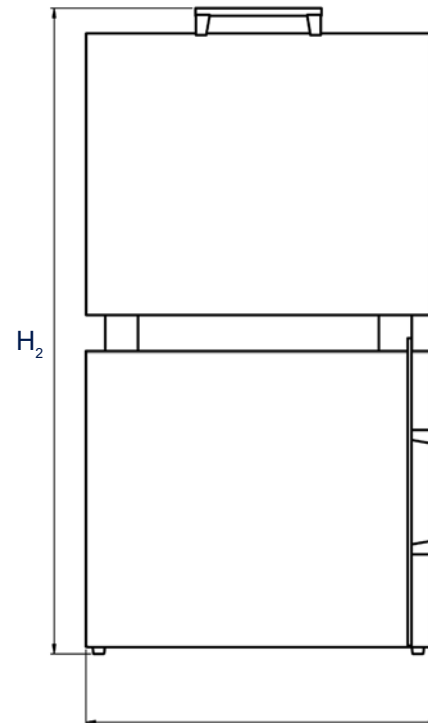
External dimensions
(Lid and door closed)



Internal dimensions



External dimensions
(Lid and door opened)



The drawings are meant as a visualization aid and are not true to scale.

Technical specifications serve as orientation values and are subject to tolerances due to production and manufacturing. Proper operation can only be guaranteed when using original Elma accessories.

Elmasonic Accessory - Elma Sink

Rinsing device

- for immersion rinsing or rinsing off objects
- Stainless steel tub
- Elma Sink L and XL are equipped with a drain
- the bath sizes are uniform to Elmasonic Easy, Med, Select and P
- Product contents:
 - Elma Sink S & M: 1x Elma Sink S or M, 1x Operating and installation instructions
 - Elma Sink L & XL: 1x Elma Sink L or XL, 1x Embout de tuyau
1x Collier de serrage, 1x Operating and installation instructions



Unit size	S	M	L	XL
Order number	1113839	1113840	1113841	1113843
Tub size	40	60	180	300
passende Korbgröße				
20		2 x		
30	1 x			
40	1 x			
60		1 x	2 x	4 x
80			1 x	2 x
100				2 x
120			1 x	2 x
150				1 x
180			1 x	1 x
300				1 x

All prices ex works, excluding packaging.

Technical specifications serve as orientation values and are subject to tolerances due to production and manufacturing. Proper operation can only be guaranteed when using original Elma accessories.

Elmasonic Accessory - Elma Sink

Rinsing device

Technical Data - Mechanics

Unit size	S		M	L			XL	
Total capacity V (l)	3,9		5,9	17,8			27,5	
Recom. operating capacity V _a (l)	2,9		4,3	14,2			22,0	
Unit ext. dimensions W / D / H (mm)	305 / 155 / 220		365 / 170 / 270	395 / 315 / 325			565 / 315 / 325	
Opening dimensions W ₂ / D ₂ (mm)	235 / 135		300 / 150	325 / 295			500 / 295	
Tank int. dimensions W ₁ / D ₁ / H ₁ (mm)	215 / 115 / 145		280 / 130 / 145	300 / 270 / 195			475 / 270 / 195	
Weight (kg)	2,0		2,8	4,7			6,1	
Connection thread drain (Zoll)	--			3/8				
Drain hose - ID (mm)	--			12				
Basket int. dimensions W ₃ / D ₃ / H ₃ (mm)	195 / 105 / 50	195 / 105 / 95	255 / 105 / 95	250 / 195 / 90	250 / 195 / 135	280 / 255 / 135	450 / 255 / 55	450 / 255 / 135
Total basket loading (kg)	1,0	3,0	5,0	6,0	7,0	8,0	7,0	10,0

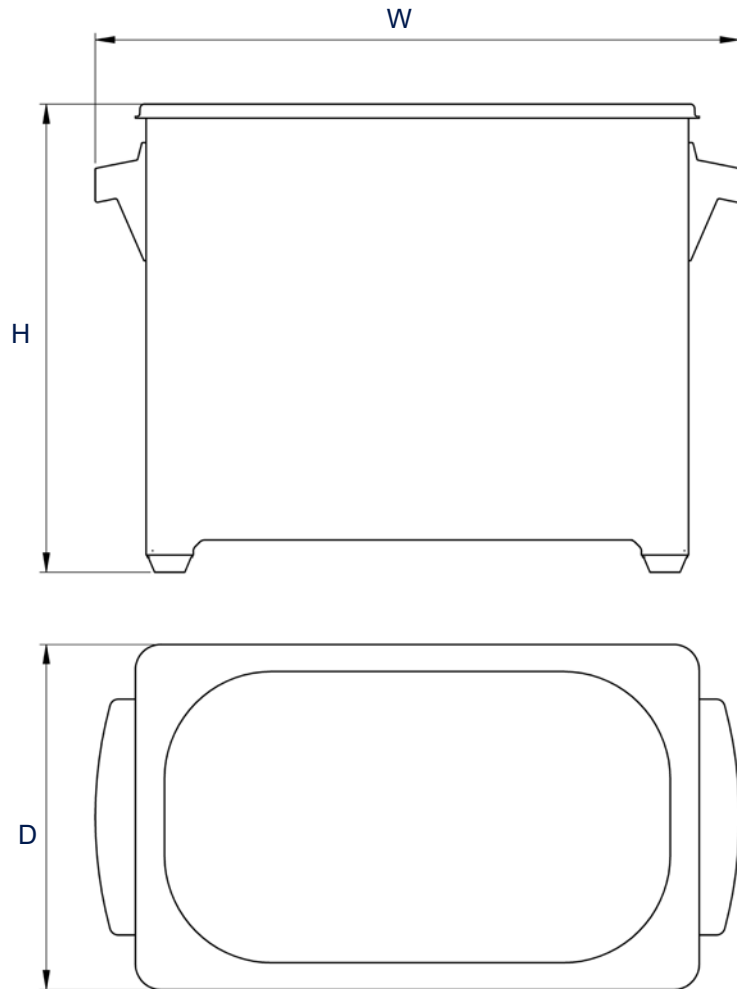
Technical specifications serve as orientation values and are subject to tolerances due to production and manufacturing. Proper operation can only be guaranteed when using original Elma accessories.

Elmasonic Accessory - Elma Sink

Rinsing device

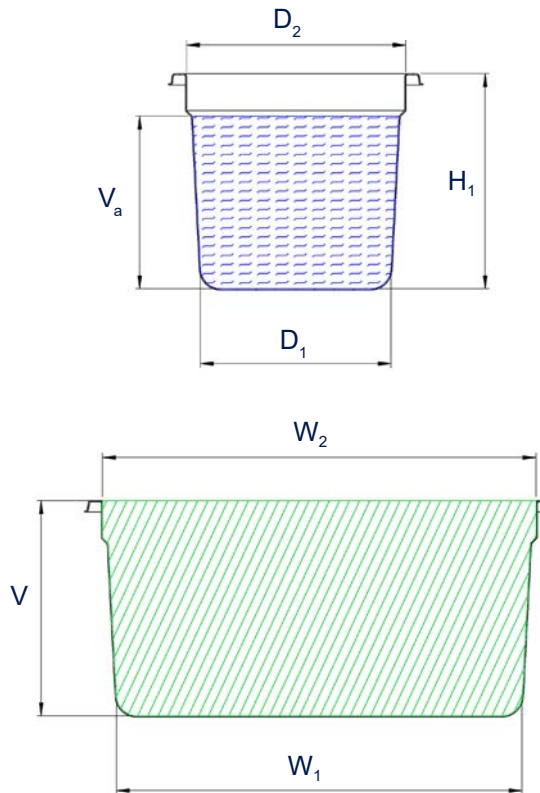
Dimension definition

Unit ext. dimensions

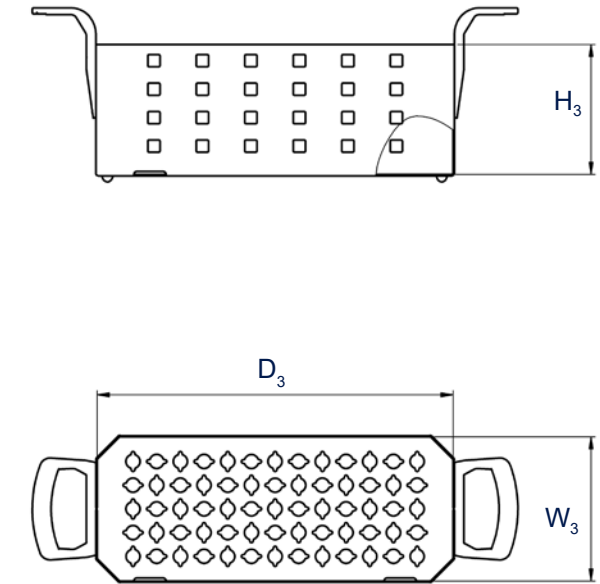


Tank int. dimensions

V_a : recommended operating capacity of the cleaning tank
(The actual operating capacity depends on the load.)



Basket int. dimensions



The drawings are meant as a visualization aid and are not true to scale.

Technical specifications serve as orientation values and are subject to tolerances due to production and manufacturing. Proper operation can only be guaranteed when using original Elma accessories.

Elmasonic Accessory - Elma Dry

Drying units

- from Elma Dry 120 suitable for the use of different basket sizes
- simple and quick operation via a toggle switch with three positions: Off, warm air, cold air
- drying temperature max. 70 °C
- cooling temperature to room temperature
- cover to save energy and to create an effective flow turbulence around the material to be dried
- automatic safety shutdown if temperature is too high
- dust filter (replaceable) prevents dust from the room air from re-contaminating the material to be dried (filter fineness 33ppi)
- stainless steel housing, drip-proof
- very gentle air flow for sensitive parts
- Product contents:
 - 1x Elma Dry 30, 120 or 300, 1x Cover,
 - 1x Power cable with rubber connector (2 m length), 1x Operating manual



Unit size	30	120	300
Order number 220 - 240 V~	1082175	1078542	1078575
Order number 115 - 120 V~	1082662	1082664	1082666

All prices ex works, excluding packaging.

Technical specifications serve as orientation values and are subject to tolerances due to production and manufacturing. Proper operation can only be guaranteed when using original Elma accessories.

Elmasonic Accessory - Elma Dry

Drying units

Technical Data - Mechanics

Elma Dry	30	120	300
Unit ext. dimensions W / D / H (mm)	300 / 186 / 219	362 / 285 / 322	568 / 347 / 322
Tank int. dimensions W ₁ / D ₁ / H ₁ (mm)	220 / 120 / 95	275 / 215 / 195	475 / 270 / 195
Opening dimensions W ₂ / D ₂ (mm)	235 / 135	295 / 235	500 / 395
Mesh size Y x Z (mm)	2 x 0,63		
Weight incl. cover (kg)	3,6	6,1	10,2
Load max. (kg)	1	7	12
Suitable basket sizes			
Elmasonic S, P, Med, Select, Easy	1 x 30/40	2 x 30/40 1 x 100/120	3 x 60 1 x 60 + 1 x 100/120 2 x 100/120 1 x 150/300
Elmasonic xtra TT	--	2 x 30 1 x 60	1 x 30 1 x 60 1 x 120 1 x 200
xtra 30, 50, 70, 150	--	1 x 30 1 x 50	3 x 30 1 x 70 1 x 150

Technical specifications serve as orientation values and are subject to tolerances due to production and manufacturing. Proper operation can only be guaranteed when using original Elma accessories.

Elmasonic Accessory - Elma Dry

Drying units

Technical Data - Electronics

Elma Dry	30	120	300
Mains voltage (V~)	220 - 240 / 115 - 120		
Mains frequency (Hz)	50 / 60		
Heating power (W)	480	550	1100
Power (W)	500	570	1140
Temperature max. (°C)	70		
Heating time (min)	~ 15		
Air output max. (m³/h)	160		320

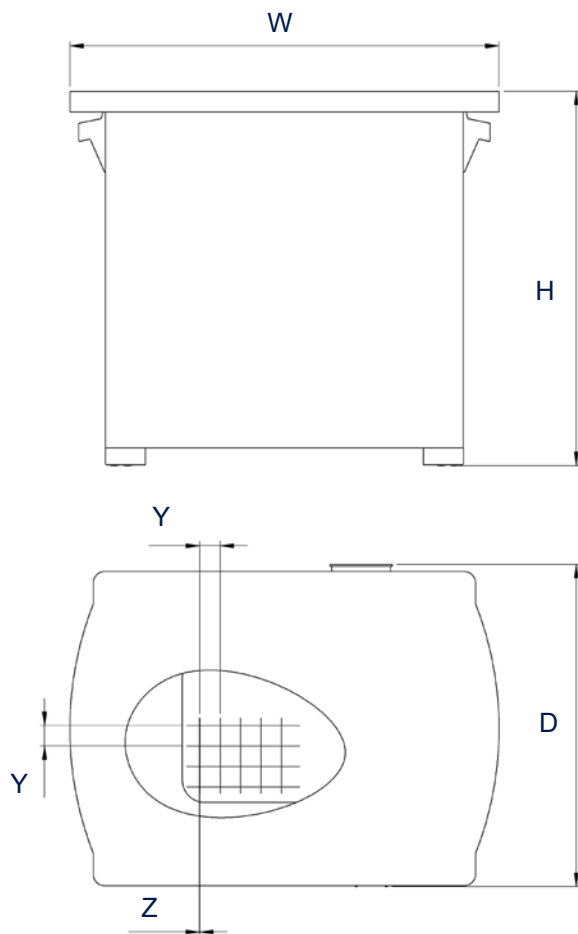
Technical specifications serve as orientation values and are subject to tolerances due to production and manufacturing. Proper operation can only be guaranteed when using original Elma accessories.

Elmasonic Accessory - Elma Dry

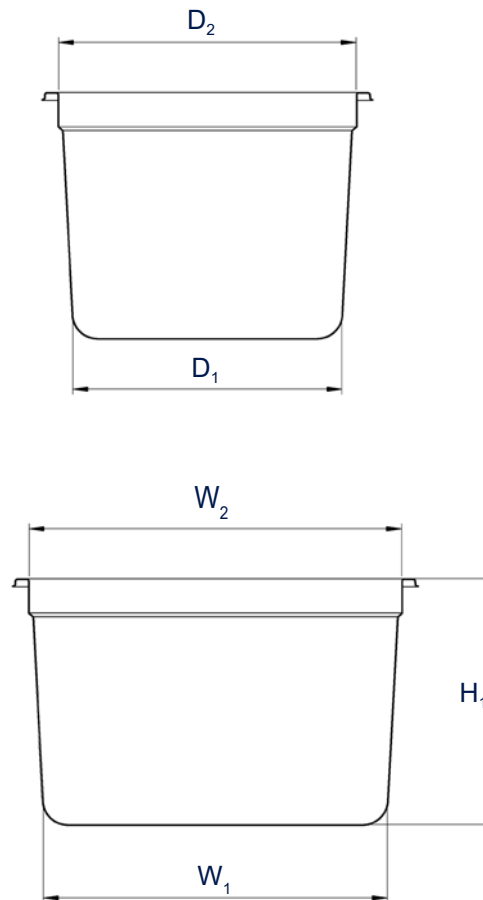
Drying units

Dimension definition

Unit outer dimensions



Tank internal dimensions



The drawings are meant as a visualization aid and are not true to scale.

Technical specifications serve as orientation values and are subject to tolerances due to production and manufacturing. Proper operation can only be guaranteed when using original Elma accessories.