

Elmasonic Easy R

Ultrasonic cleaning devices

Product Information



Contents

Elmasonic Easy R	9
Order numbers and list prices	9
Product features and functions	10
Mechanical data	11
Electrical data	12
Performance data	12
Dimension definition	13

Product Information



Elmasonic Easy R

Ultrasonic cleaning devices



Order numbers and list prices

Elmasonic Easy	50 R	350 R
Order number 220 - 240 V~	1120119	1120120
Order number 115 - 120 V~	1120118	--

Scope of delivery

Elmasonic Easy 50 R:	Elmasonic Easy 350 R:
<ul style="list-style-type: none"> ▪ Ultrasonic cleaning devices 	<ul style="list-style-type: none"> ▪ Ultrasonic cleaning devices
<ul style="list-style-type: none"> ▪ Cover or, turned over, usable as a drip tray for a basket 	<ul style="list-style-type: none"> ▪ Stainless steel lid
<ul style="list-style-type: none"> ▪ Power cable with rubber connector (2 m length) 	<ul style="list-style-type: none"> ▪ Hose connector for drain
<ul style="list-style-type: none"> ▪ Manual 	<ul style="list-style-type: none"> ▪ Power cable with rubber connector (2 m length)
	<ul style="list-style-type: none"> ▪ Manual

Technical specifications serve as orientation values and are subject to tolerances due to production and manufacturing. Proper operation can only be guaranteed when using original Elma accessories.

Elmasonic Easy R

Product features and functions

- 37 kHz ultrasonic frequency (control range -2,5 / +5,5 kHz)
- 4 ultrasonic modes for demand-oriented sound field distribution and sample preparation in the ultrasonic bath
 - general cleaning sweep mode: General cleaning tasks. Ensures a more homogeneous distribution of cavitation (mechanical cleaning action) in the bath.
 - sieve cleaning mode: Increased ultrasonic intensity for the most stubborn soiling, saves time. For optimal cleaning of test sieves.
 - sample preparation mode: Sweep and pulse alternately for homogeneous and strong cleaning. For sample preparation such as mixing, dissolving, dispersing, cleaning, etc.
 - degas mode: more effective, faster and more reliable. Fast degassing of HPLC solvents
- Electronic selector switches on wipeable membrane keypad and LED display of all operating states
- Pre-selection of cleaning time: cleaning time adjustable between 1 minute and 30 minutes or continuous operation adjustable (ultrasonic continuous operation max. 6 hours)
- Acoustic and optical signal at the end of cleaning
- Safety switch-off with wake-up function
 - after 8 hours of inactivity
 - in case of a brief interruption of the power supply
- Automatic shutdown of ultrasonic operation at a bath temperature > 90 °C
- Splash-proof housing and cleaning tray made of stainless steel
- Stopcock for emptying the cleaning tank via the drain at the rear of the unit (Elmasonic Easy 350 R)
- Different fill level possible for different container sizes. Saving of water and medium (Elmasonic Easy 50 R)

Elmasonic Easy

Mechanical data

Device size	Unit	50 R	350 R
Total volume V	L	6,0	69,0
Recommended tank operating capacity V_a	L	3,0 - 5,0	59,0
Max. external dimensions W / D / H	mm	345 / 295 / 345	675 / 795 / 505
Interior dimensions Dia ₁ / H ₁ (tank)	mm	∅ 240 / 140	∅ 595 / 245
Weight on delivery	Kg	5,5	25,0
Drain connection thread	Inches	--	1/2
Interior dimensions of basket Dia ₂ / H ₂ (original accessories)	mm	∅ 225 / 65	∅ 545 / 75
Max. basket loading (original accessories)	Kg	4,0	10,0

Elmasonic Easy

Electrical data

Unit size	Unit	50 R	350 R
Mains voltage $\pm 10\%$	V~	220 - 240 115 - 120	220 - 240
Mains frequency	Hz	50 / 60	50
Degree of protection	IP	20	
Sound pressure level LpAU*	dB	< 80	

*Measured sound pressure level with cover at a distance of 1 m.

Performance data

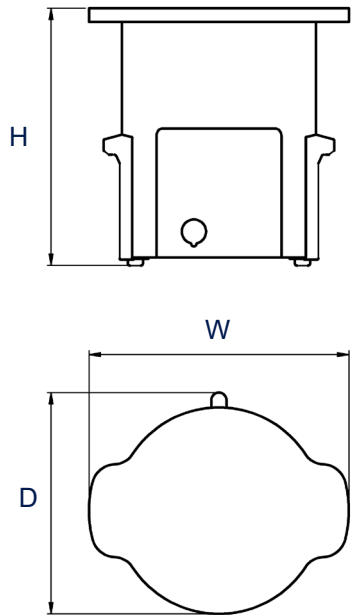
Unit size	Unit	50 R	350 R
Total power consumption	W	150	650
Ultrasonic power effective $\pm 10\%$	W	150	650
Ultrasonic peak performance max.	W	600	2600

Elmasonic Easy R

Dimension definition

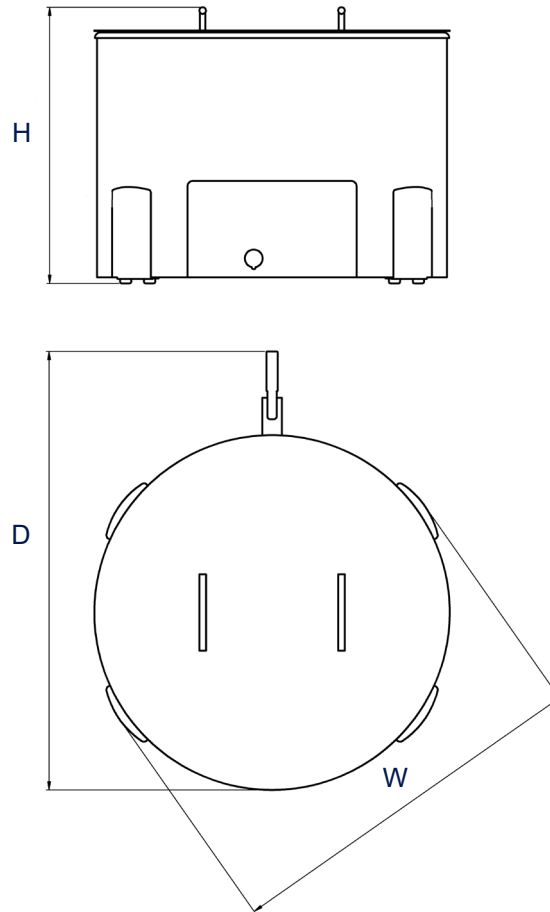
Max. external dimensions

Unit size 50 R



Max. external dimensions

Unit size 350 R

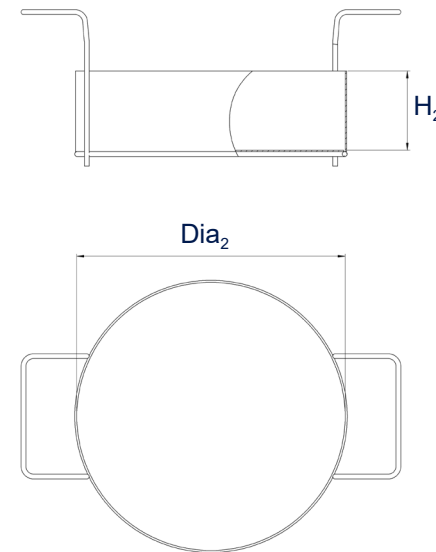


Internal dimensions (tank)

V_a : recommended operating capacity of the cleaning tank
(The actual operating capacity depends on the load.)



Internal dimension of basket



The drawings are meant as a visualization aid and are not true to scale.

Technical specifications serve as orientation values and are subject to tolerances due to production and manufacturing. Proper operation can only be guaranteed when using original Elma accessories.