

Product Information



Elmasonic Select

Ultrasonic cleaning devices



Order numbers and list prices

| Elmasonic Select | 30 | 40 | 60 | 80 | 100 | 120 | 150 | 180 | 300 | 500 | 900 |
|-------------------------------------------------------------|---------|---------|---------|---------|---------|---------|---------|---------|---------|---------|---------|
| Order number 220 - 240 V~ | 1106989 | 1106668 | 1106990 | 1106853 | 1106991 | 1106992 | 1106993 | 1106994 | 1106995 | 1108777 | 1108778 |
| Order number 115 - 120 V~ | 1106996 | 1106997 | 1106998 | 1106999 | 1107000 | 1107001 | 1107002 | 1107003 | 1107004 | - | - |
| Order number 220 - 240 V~ with sound protection cover | | | | | | | | | | 1109445 | 1109446 |

Scope of delivery

- Cover / drip tray (Elmasonic Select 30 - 300); Stainless steel cover or Sound-protection cover (Elmasonic Select 500 / 900)
- Operating manual
- Power cable with rubber connector (2 m length)
- Hose connection grommet (from Elmasonic Select 60), drain hose not included

All prices ex works, excluding packaging.

Technical specifications serve as orientation values and are subject to tolerances due to production and manufacturing. Proper operation can only be guaranteed when using original Elma accessories.

Elmasonic Select

Product features and functions

- 37 kHz ultrasonic frequency (control range -2,5 / +5,5 kHz)
- 5 ultrasonic modes for need-based sound field distribution in the ultrasonic bath
 - eco-mode: Gentle cleaning with quieter operation by running the sweep-mode at a slightly lower intensity
 - sweep-mode: Even cleaning through even sound field distribution in the ultrasonic bath
 - pulse-mode: Removal of even stubborn contamination through pulsating sound field distribution
 - dynamic-mode: Combination of the ultrasonic modes sweep and pulse in order to increase the cleaning performance
 - degas-mode: Quick degassing of the cleaning liquid and for special applications in the laboratory
- 4 memory locations for cleaning programs, available via quick selection
- Autostart function for temperature-controlled start of cleaning
- Adjustable limit temperature from 40-60 °C (can be switched to °F)
- Digital control unit with wipeable membrane keyboard and easy-to-read display for displaying all operating states
- Optical and acoustic feedback, e.g. at the end of cleaning or when the limit temperature is reached
- Pre-selection of cleaning time: cleaning time adjustable between 1 minute and 6 hours
- Electronic temperature control adjustable in steps of 5 °C from 25-80 °C (can be switched to °F; temperature tolerance -5 / +8 °C)
- Setup menu for individual adjustment of the device functions
- Dry-run detection (except for Elmasonic Select 500 and 900)
- Automatic safety shutdown after 8 hours
- Splash-proof case and cleaning tank made of stainless steel
- Shut-off valve on the side for emptying the cleaning tank via the outlet on the rear of the device (only for Elmasonic Select 60 to 300)
- Shut-off valve and outlet on the side of the device for emptying the cleaning tank (only for Elmasonic Select 500 and 900)
- Soundproof lids reduce the noise of the ultrasound, the evaporation of water and chemicals, and the waste heat. Thus, energy and costs are saved.
- 2-year warranty from the initial operation, but no longer than 3 years from the production date

Technical specifications serve as orientation values and are subject to tolerances due to production and manufacturing. Proper operation can only be guaranteed when using original Elma accessories.

Elmasonic Select

Technical Data - Mechanics

| Elmasonic Select | 30 | 40 | 60 | 80 | 100 | 120 |
|------------------------------------------------------------------------------|-----------------|-----------------|-----------------|-----------------|-----------------|-----------------|
| Total capacity V (l) | 2,7 | 3,9 | 5,9 | 9,3 | 9,5 | 12,9 |
| Recom. operating capacity V _a (l) | 1,6 | 2,9 | 4,3 | 6,8 | 6,8 | 10,0 |
| Unit ext. dimensions W / D / H (mm) | 305 / 170 / 230 | 305 / 170 / 280 | 370 / 210 / 280 | 570 / 195 / 280 | 380 / 300 / 280 | 380 / 300 / 330 |
| Opening dimensions W ₃ / D ₃ (mm) | 235 / 135 | 235 / 135 | 300 / 150 | 500 / 135 | 295 / 235 | 275 / 235 |
| Tank int. dimensions W ₂ / D ₂ / H ₂ (mm) | 220 / 120 / 95 | 215 / 115 / 145 | 280 / 130 / 145 | 475 / 110 / 145 | 280 / 220 / 145 | 300 / 215 / 195 |
| Weight incl. cover (kg) | 3,6 | 3,8 | 5,2 | 6,9 | 6,2 | 7,7 |
| Drain hose - ID (mm) | -- | | 12,0 | | | |
| Basket int. dimensions W ₄ / D ₄ / H ₄ (mm) | 195 / 105 / 50 | 190 / 105 / 75 | 255 / 115 / 75 | 455 / 106 / 75 | 255 / 200 / 70 | 250 / 190 / 110 |
| Total basket loading (kg) | 1,0 | 3,0 | 5,0 | 5,0 | 6,0 | 7,0 |

Technical specifications serve as orientation values and are subject to tolerances due to production and manufacturing. Proper operation can only be guaranteed when using original Elma accessories.

Elmasonic Select

Technical Data - Mechanics

| Elmasonic Select | 150 | 180 | 300 | 500 | 900 |
|------------------------------------------------------------------------------------------------|-----------------|-----------------|-----------------|-----------------|------------------|
| Total capacity V (l) | 14,6 | 17,8 | 27,5 | 49,7 | 89,0 |
| Recom. operating capacity V _a (l) | 8,7 | 14,2 | 22,0 | 40,3 | 63,7 |
| Unit ext. dimensions W / D / H (mm) | 575 / 360 / 230 | 405 / 360 / 330 | 575 / 360 / 330 | 775 / 425 / 505 | 875 / 595 / 505 |
| Unit ext. dimensions with open noise protection cover W / D ₁ / H ₁ (mm) | -- | | | 775 / 510 / 975 | 875 / 640 / 1145 |
| Opening dimensions W ₃ / D ₃ (mm) | 500 / 295 | 325 / 295 | 500 / 295 | -- | |
| Tank int. dimensions W ₂ / D ₂ / H ₂ (mm) | 485 / 280 / 95 | 300 / 270 / 195 | 475 / 270 / 195 | 500 / 330 / 290 | 600 / 500 / 285 |
| Weight incl. cover (kg) | 8,8 | 10,2 | 12,2 | 30,4 | 43,4 |
| Weight incl. noise protection cover (kg) | -- | | | 34,7 | 49,3 |
| Drain hose - ID (mm) | 12,0 | | | 19,0 | |
| Basket int. dimensions W ₄ / D ₄ / H ₄ (mm) | 455 / 250 / 45 | 280 / 250 / 115 | 455 / 250 / 110 | 460 / 300 / 195 | 545 / 460 / 190 |
| Total basket loading (kg) | 7,0 | 8,0 | 10,0 | 20,0 | 30,0 |

Technical specifications serve as orientation values and are subject to tolerances due to production and manufacturing. Proper operation can only be guaranteed when using original Elma accessories.

Elmasonic Select

Technical Data - Electronics and noise levels

| Elmasonic Select | 30 | 40 | 60 | 80 | 100 | 120 | 150 | 180 | 300 | 500 | 900 |
|-------------------------------------------|-------------------|-----|-----|-----|------|------|------|------|------|------|-----|
| Mains voltage (V~) | 220-240 / 115-120 | | | | | | | | | | |
| Mains frequency (Hz) | 50 / 60 | | | | | | | | | | |
| Power consumption total (W) | 320 | 550 | 750 | 550 | 1000 | 1100 | 1000 | 1500 | 2140 | 2960 | |
| Ultrasonic power effective $\pm 10\%$ (W) | 120 | 150 | 150 | 150 | 200 | 300 | 200 | 300 | 540 | 960 | |
| Ultrasonic peak power max.** (W) | 480 | 600 | 600 | 600 | 800 | 1200 | 800 | 1200 | 2160 | 3840 | |
| Heating power (W) | 200 | 400 | 600 | 400 | 800 | 800 | 800 | 1200 | 1600 | 2000 | |
| Temperature (°C) | 25 - 80 | | | | | | | | | | |
| Protection class | IP 20 | | | | | | | | | | |

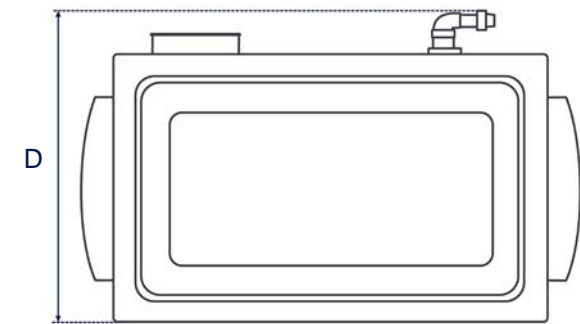
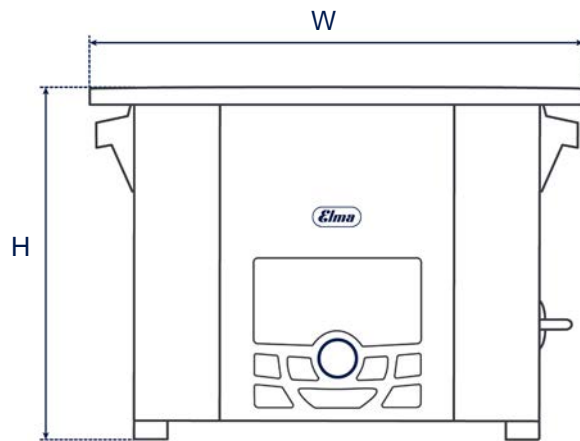
Technical specifications serve as orientation values and are subject to tolerances due to production and manufacturing. Proper operation can only be guaranteed when using original Elma accessories.

Elmasonic Select

Dimension definition

Unit outer dimensions

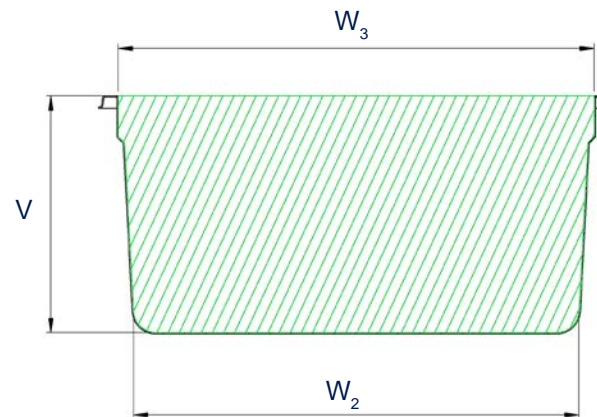
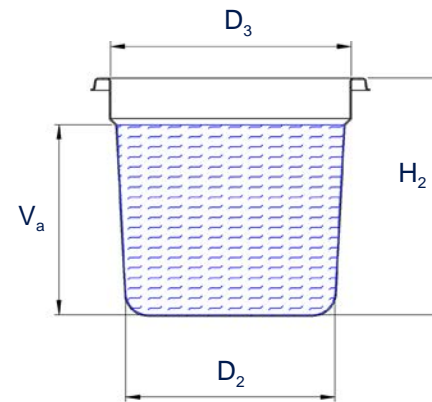
Elmasonic Select 30 - 300



Tank internal dimensions

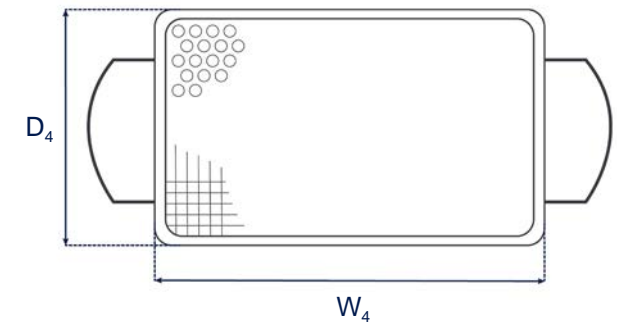
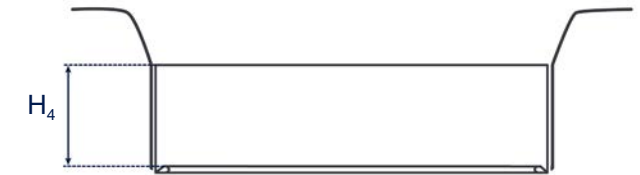
Elmasonic Select 30 - 300

V_a : recommended operating capacity of the cleaning tank
(The actual operating capacity depends on the load.)



Basket internal dimensions

Elmasonic Select 30 - 900



The drawings are meant as a visualization aid and are not true to scale.

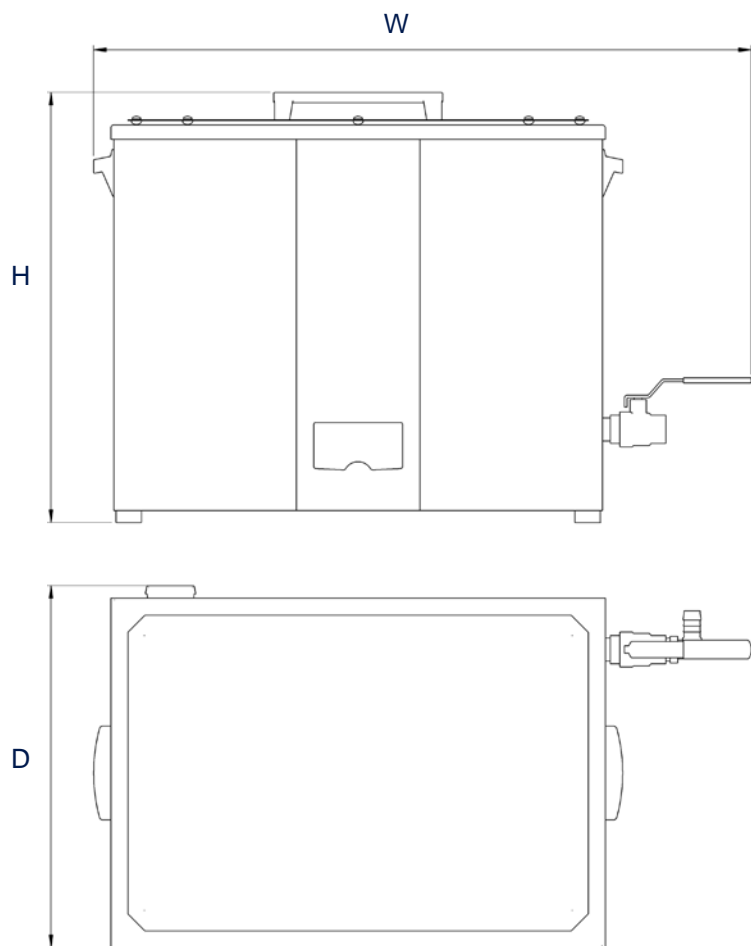
Technical specifications serve as orientation values and are subject to tolerances due to production and manufacturing. Proper operation can only be guaranteed when using original Elma accessories.

Elmasonic Select

Dimension definition

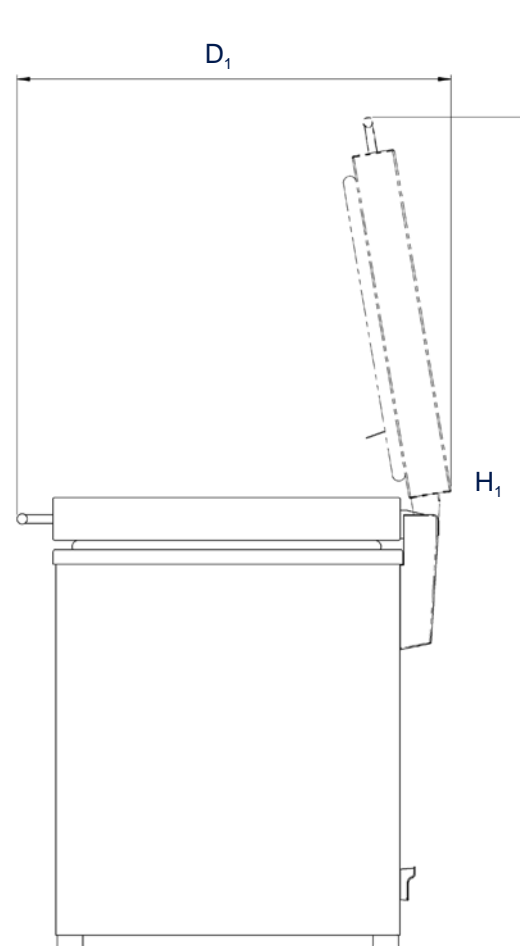
Unit outer dimensions

Elmasonic Select 500 / 900



Unit outer dimensions

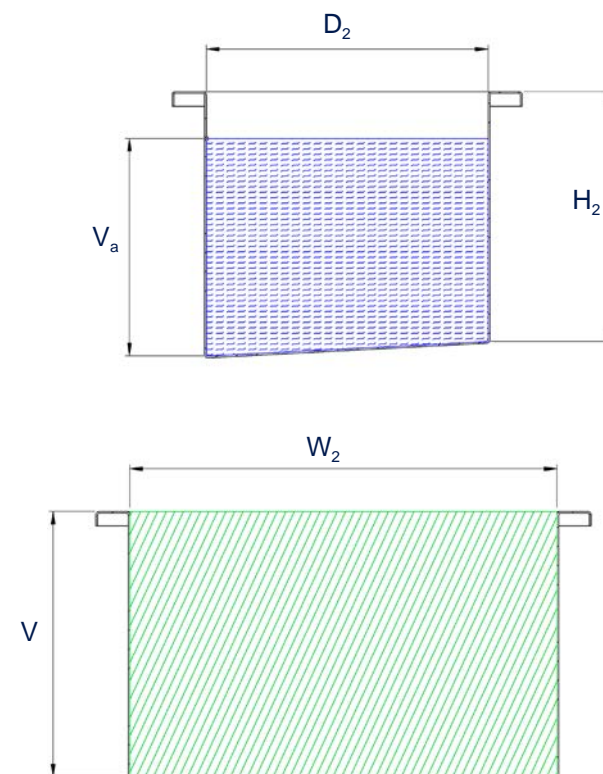
Elmasonic Select 500 and 900 with noise protection cover



Tank internal dimensions

Elmasonic Select 500 / 900

V_a : recommended operating capacity of the cleaning tank
(The actual operating capacity depends on the load.)



The drawings are meant as a visualization aid and are not true to scale.

Technical specifications serve as orientation values and are subject to tolerances due to production and manufacturing. Proper operation can only be guaranteed when using original Elma accessories.