

Installation instructions

Access ramp

**KERN BFN-A01 / BFN-A05 /
BFS-A01N / BFS-A02N /
BFS-A09N / BFS-A11**

Version 5.1

2024-07

GB



BFN-A01_BFN-A05_BFS-A01N_BFS-A02N_BFS-A09N_BFS-A11-IA-e-2451



KERN BFN-A01 / BFN-A05 / BFS-A01N / BFS-A02N / BFS-A09N / BFS-A11

Version 5.1 2024-07

Installation instructions Access ramp

Contents

1	Basic safety instructions	2
1.1	Follow the instructions in the documentation.....	2
1.2	Staff training	2
1.3	Unpacking and checking	2
1.4	Installation	3
2	Drawings	4

1 Basic safety instructions

1.1 Follow the instructions in the documentation



⇒ Read the document carefully before installation.

1.2 Staff training

The product may only be installed by qualified specialists using suitable fastening materials.

1.3 Unpacking and checking

Remove the product from the packaging and remove the packaging material. Check that all parts included in the scope of delivery are present and undamaged.

Scope of delivery / standard accessories:

- Access ramp
- Installation instructions

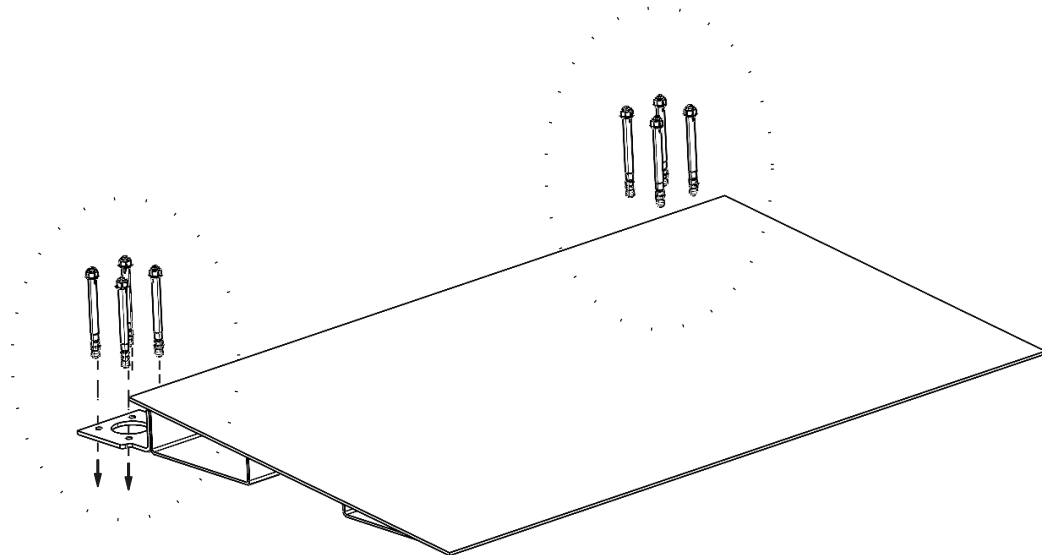
1.4 Installation

INFORMATION

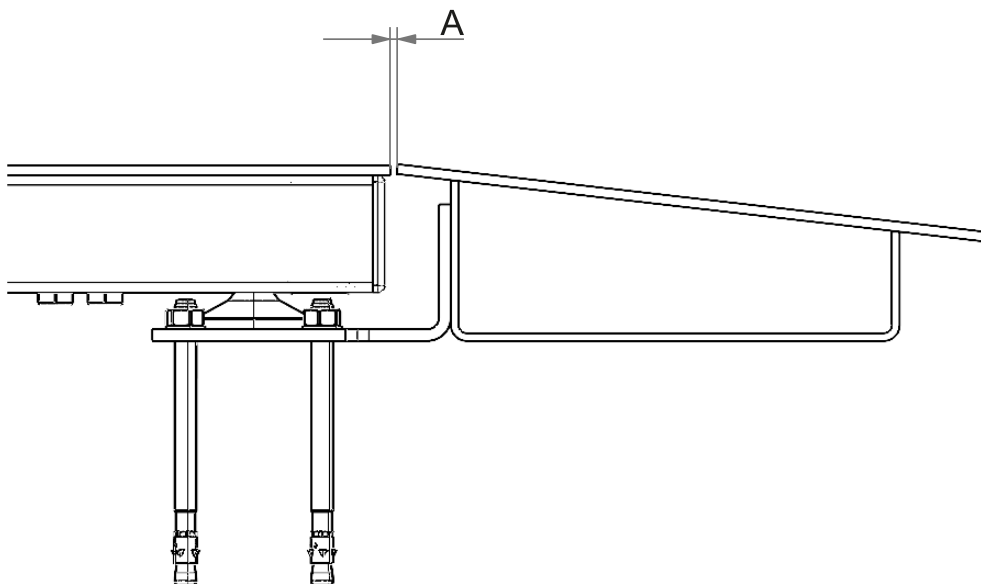


- The necessary preparatory work is described in the relevant installation instructions for the weighbridge.

1. Anchor each base plate to the floor using suitable fastening materials



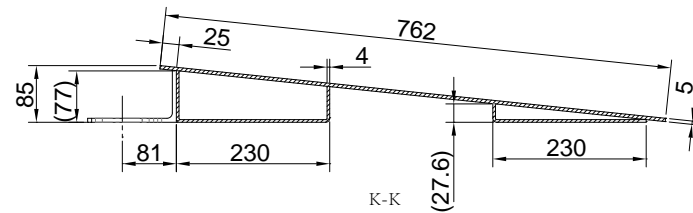
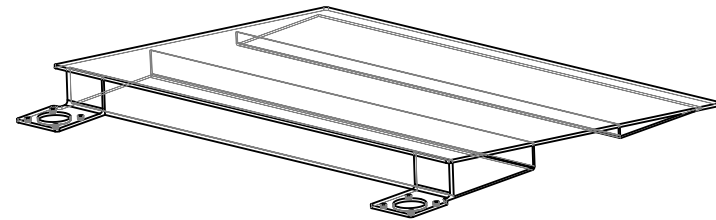
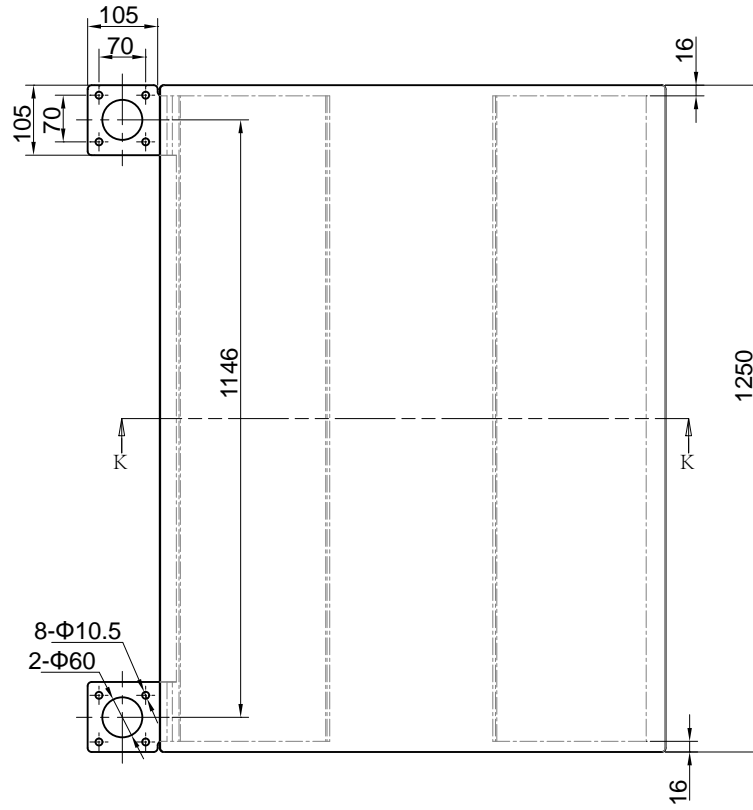
2. Place the weighing platform with the levelling feet in the recess of the foot plates (the distance **A** between the weighing platform and the drive-on ramp must be at least 2 mm)



2 Drawings

A4

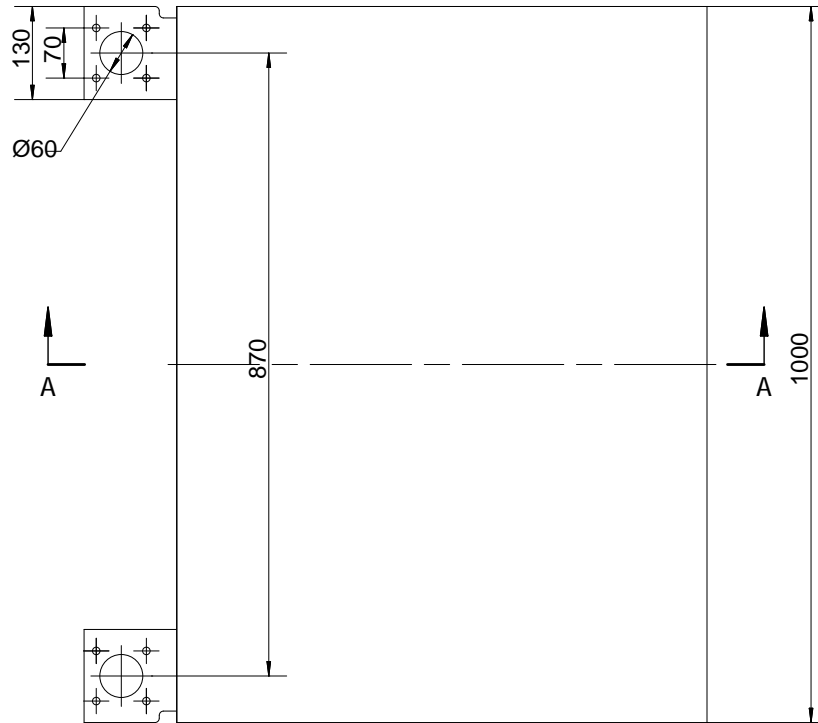
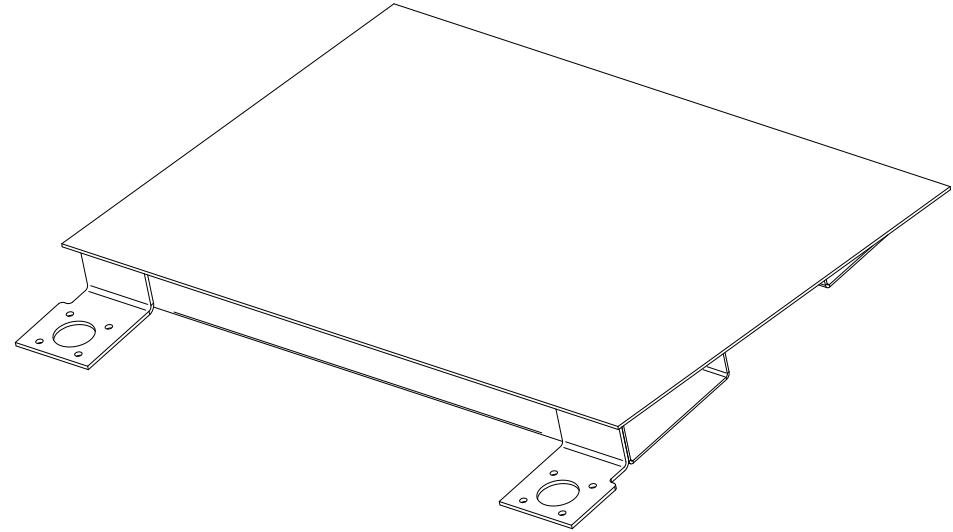
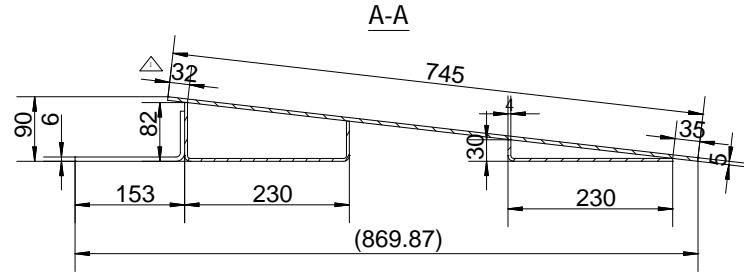
REVISIONS				
ZONE	REV.	DESCRIPTION	DATE	APPROVED
	A0	Released	2024.05.06	Tim.Zhao



<small>TOLERANCE UNLESS OTHERWISE SPECIFIED DEC ANGLES ±0.1 FOR 0.X ±0.05 FOR 0.XX</small>		<small>±0.5</small>		KERN & SOHN GmbH	
3RD ANGLE PROJECTION		TITLE: BFN-A01			
DRAWN	Y.J.Zhao	MODEL NO.	RMS 1.25M-KERN	PART NO.	130901100005
CHECKED	Tim.Zhao	MATERIAL		FINISH	
APPROVED	Tim.Zhao	SCALE		DO NOT SCALE DRAWING	SHEET OF
UNIT	mm	SCALE		DO NOT SCALE DRAWING	SHEET OF

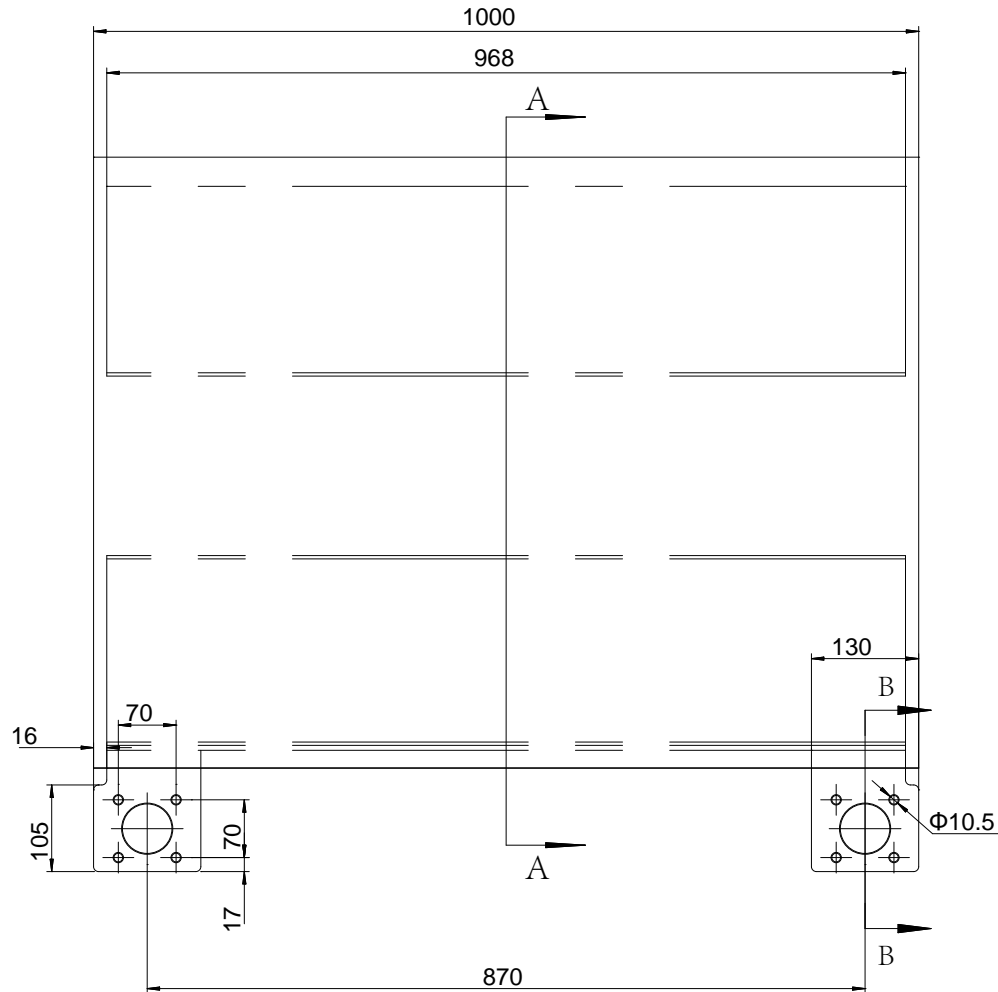
A4

REVISIONS				
ZONE	REV.	DESCRIPTION	DATE	APPROVED
	A0	Released	2024.05.06	Tim.Zhao

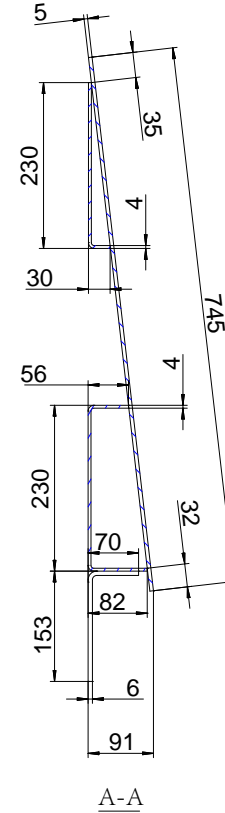


TOLERANCE UNLESS OTHERWISE SPECIFIED DEC ANGLES ±0.5 ±0.1 FOR 0.X ±0.05 FOR 0.XX		KERN® KERN & SOHN GmbH		
3RD ANGLE PROJECTION		TITLE: BFN-A05		
DRAWN	Y.J.Zhao	MODEL NO.	RMS1.0M-TFGS1010 -KERN	PART NO. 130901100009
CHECKED	Tim.Zhao	MATERIAL		FINISH
APPROVED	Tim.Zhao			
UNIT	mm	SCALE	DO NOT SCALE DRAWING	SHEET OF

A4



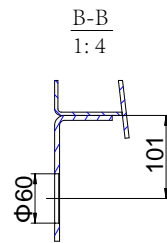
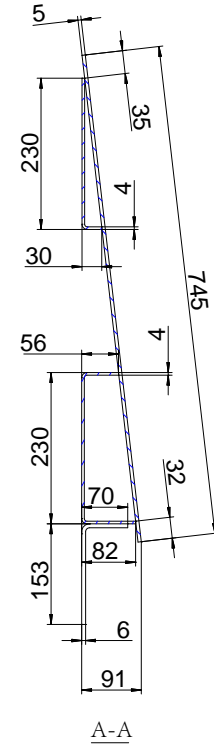
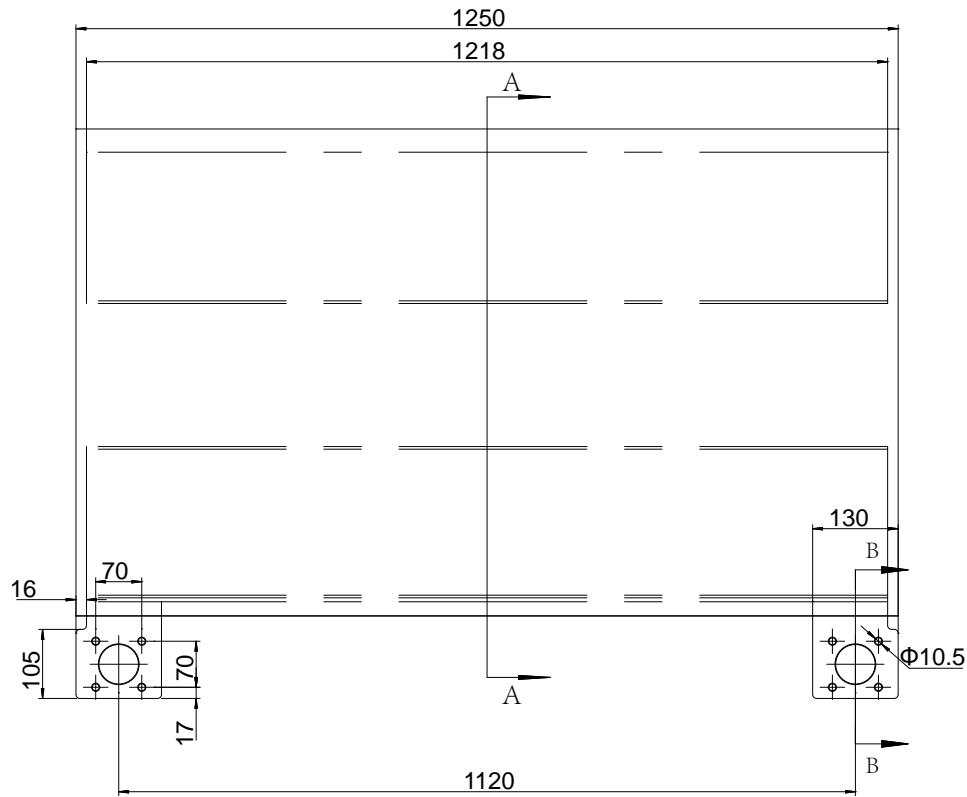
REVISIONS				
ZONE	REV.	DESCRIPTION	DATE	APPROVED
	A0	Released	2024.05.06	Tim.Zhao



TOLERANCE UNLESS OTHERWISE SPECIFIED DEC ANGLES ± 0.1 FOR 0.X ± 0.05 FOR 0.XX ± 0.5		KERN® KERN & SOHN GmbH		
3RD ANGLE PROJECTION		TITLE: BFS-A01N		
DRAWN	Y.J.Zhao	MODEL NO.	RM1.0M-TFG1010-KERN	PART NO. 130901000035
CHECKED	Tim.Zhao	MATERIAL		FINISH
APPROVED	Tim.Zhao	SCALE		DO NOT SCALE DRAWING
UNIT	mm	SCALE		SHEET OF

A4

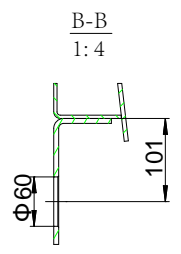
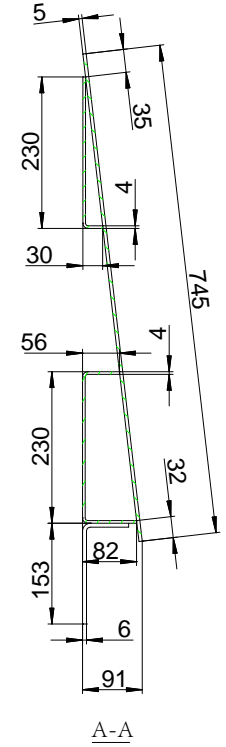
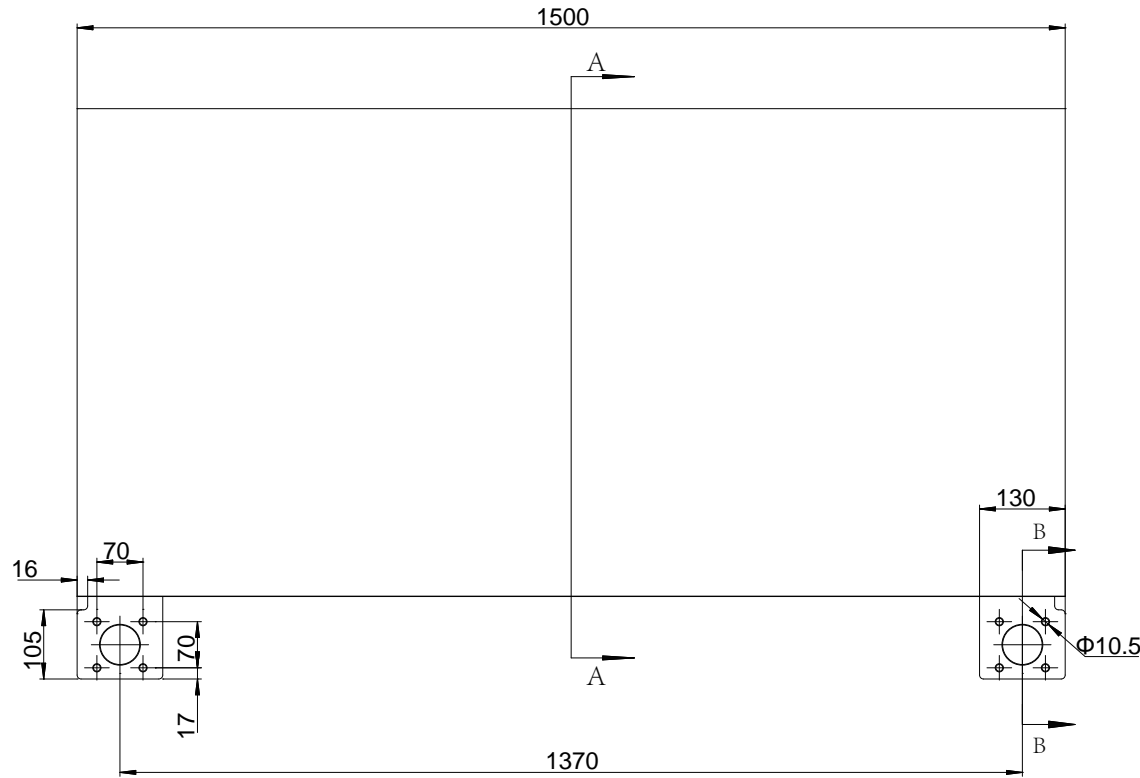
REVISIONS				
ZONE	REV.	DESCRIPTION	DATE	APPROVED
	A0	Released	2024.05.06	Tim.Zhao



TOLERANCE UNLESS OTHERWISE SPECIFIED DEC ANGLES ±0.1 FOR 0.X ±0.05 FOR 0.XX ±0.5		KERN® KERN & SOHN GmbH		
3RD ANGLE PROJECTION		TITLE:	BFS-A02N	
DRAWN	Y.J.Zhao	MODEL NO.	RM1.25M-TFG12515-KERN	PART NO. 130901000036
CHECKED	Tim.Zhao	MATERIAL		FINISH
APPROVED	Tim.Zhao			
UNIT	mm	SCALE	DO NOT SCALE DRAWING	SHEET OF

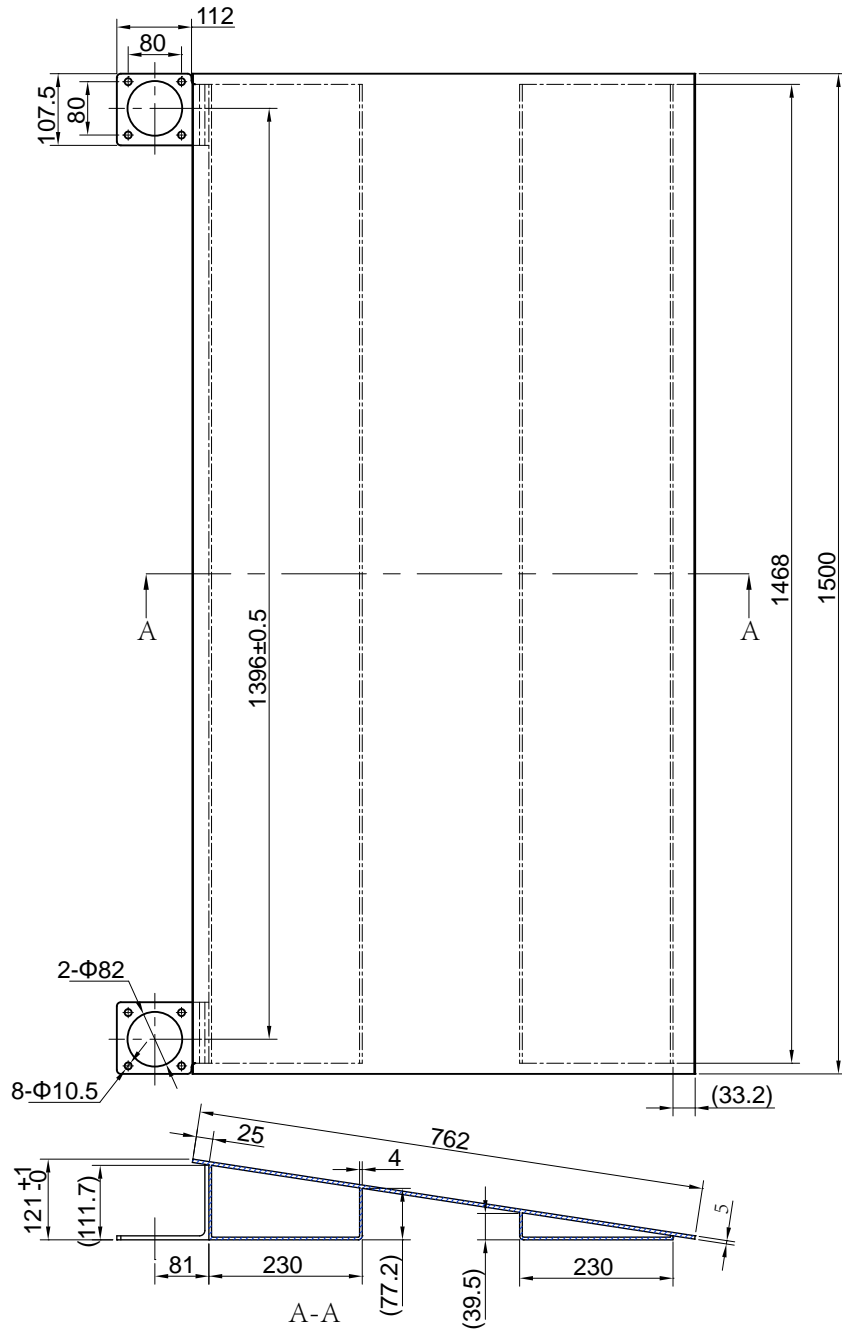
A4

REVISIONS				
ZONE	REV.	DESCRIPTION	DATE	APPROVED
	A0	Released	2024.05.06	Tim.Zhao

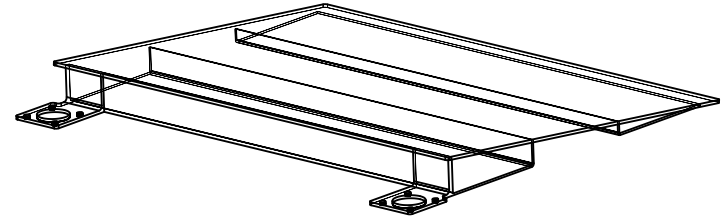


<small>TOLERANCE UNLESS OTHERWISE SPECIFIED DEC ANGLES ±0.1 FOR 0.X ±0.05 FOR 0.XX</small>		<small>±0.5</small>		KERN® KERN & SOHN GmbH	
<small>3RD ANGLE PROJECTION</small>		TITLE: BFS-A09N			
<small>DRAWN</small>	Y.J.Zhao	<small>MODEL NO.</small>	RM1.5M-KERN	<small>PART NO.</small>	130901000039
<small>CHECKED</small>	Tim.Zhao	<small>MATERIAL</small>		<small>FINISH</small>	
<small>APPROVED</small>	Tim.Zhao	<small>UNIT</small>	mm	<small>SCALE</small>	
			DO NOT SCALE DRAWING	SHEET OF	

A4



REVISIONS				
ZONE	REV.	DESCRIPTION	DATE	APPROVED
	A0	Released	2024.05.06	Tim.Zhao



TOLERANCE UNLESS OTHERWISE SPECIFIED				
DEC ANGLES	±0.5			
±0.1 FOR 0.X				
±0.05 FOR 0.XX				
3RD ANGLE PROJECTION		KERN® KERN & SOHN GmbH		
DRAWN	Y.J.Zhao	TITLE:	BFS-A11	
CHECKED	Tim.Zhao	MODEL NO.	RM1.5M-KERN-TF1515-6T	PART NO. 130901000030
APPROVED	Tim.Zhao	MATERIAL		FINISH
UNIT	mm	SCALE	DO NOT SCALE DRAWING SHEET OF	