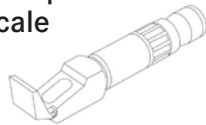


Operating manual Analogue refractometer

KERN ORA 80 BE Analogue Expert
2x Brix scale



Version 1.2 04/2019

KERN & Sohn GmbH

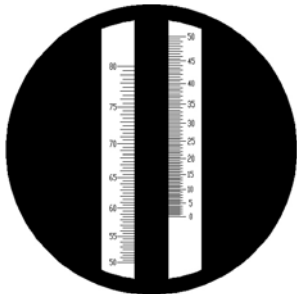
CONTENTS

1	Technical data.....	1
2	Description	2
3	General information	3
3.1	Intended use	3
3.2	Warranty	3
4	Basic safety information	4
4.1	Follow the instructions in the operating manual	4
4.2	Warning.....	4-5
5	Supplied items.....	5
6	Before the first use.....	6
7	Use/measurement.....	6
7.1	Zero point calibration	7-8
7.2	Additional advice	9
7.3	Measuring procedure	9-10
8	Cleaning and maintenance.....	11
9	Storage.....	11
10	Service	11
11	Disposal	12
12	Additional information.....	12
13	Brix to refractive index (nD) conversion table.....	13
14	Annex	14

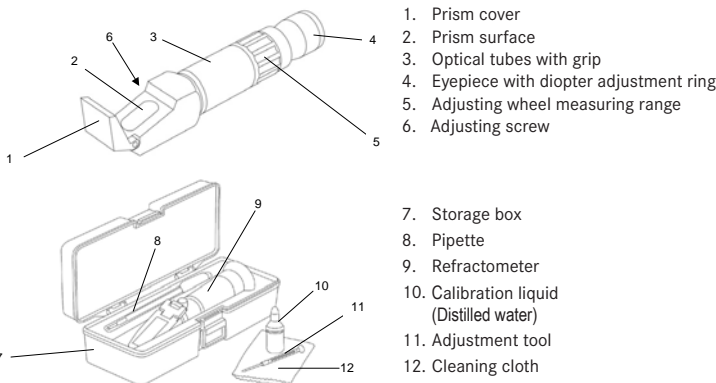
1. Technische Daten

Models KERN	Measuring range and Scales	Scale graduations Accuracy	Dimensions Product	Net weight
ORA 80BE	Brix: 0-50% Brix: 50-80%	0,5 % Brix 0,5 % Brix	180x40x40mm	0,400kg

Example scale on
ORA 80 BE



2. Description



1. Prism cover
2. Prism surface
3. Optical tubes with grip
4. Eyepiece with diopter adjustment ring
5. Adjusting wheel measuring range
6. Adjusting screw
7. Storage box
8. Pipette
9. Refractometer
10. Calibration liquid (Distilled water)
11. Adjustment tool
12. Cleaning cloth

3. General information

3.1 Intended use

The refractometer is a measuring instrument for determining the refractive index of transparent substances in liquid or in some cases also in the solid state. It is used to observe the behaviour of light as it passes from a prism with known properties to the substance being tested.

Use of the refractometer for other purposes is contrary to its intended use and may be hazardous. The manufacturer shall not be liable for any damages caused by improper use.

3.2 Warranty

The warranty shall be void in the event of:

- ▶ Failure to observe the instructions in the operating manual
- ▶ Use for purposes other than those described
- ▶ Modifications or opening the device housing
- ▶ Mechanical damage and/or damage resulting from media, liquids, natural wear and tear

3

4. Basic safety information

4.1 Follow the instructions in the operating manual



- ▶ Carefully read through the operating manual even if you have prior experience with KERN refractometers.
- ▶ Every language version includes a non-authoritative translation. The original German document is the definitive version.

4.2 Warning

- ▶ Do not let acids come into contact with skin or eyes. If acid comes into contact with skin, flush with copious amounts of water. Shower if larger areas of skin are affected.
- ▶ If acid comes into contact with eyes, keep the eyelid open and flush the eye with running lukewarm water from the outer corner to the inner corner. Flush eyes for at least 15 minutes. Then consult a doctor or ophthalmologist immediately.
- ▶ Thoroughly clean the refractometer after each use.
- ▶ The refractometer must not be exposed to extreme temperatures, high mechanical stresses, strong direct sunlight or high humidity.
- ▶ This refractometer is not a toy. Keep out of reach of children.
- ▶ Make sure that you will not be hit by anything else while you are using the refractometer, as this could cause serious eye injuries
- ▶ The rubber eyeshade may cause irritation when in prolonged contact with the skin. If this happens, consult your doctor.
- ▶ Do not touch the lenses with your fingers.

4

5. Supplied items

After unpacking and before using the device for the first time, check that all listed parts have been supplied. Replace damaged or faulty parts immediately and do not put them into operation.

- ▶ Refractometer
- ▶ Storage box
- ▶ Pipette
- ▶ Adjustment tool
- ▶ Cleaning cloth
- ▶ Calibration liquid (Distilled water)

5

6. Before the first use

Remove the protective film (if present) from the prism surface [2] and check that the rubber eye-cup [4] is fitted correctly.

7. Use/measurement

The refractometer can be used to quickly and accurately determine the refractive index of transparent substances, liquid or solid ones. To ensure correct measurement, the measuring device should be adjusted before measurements are carried out. Please make sure your hands are dry before handling the measuring device.

The measuring instrument has two measuring ranges. To switch between the two measuring ranges rotate the housing ring [5] between the eyepiece [4] and the optical tube [3].



The refractometer cannot be used for the measurement of oil-based fluids.

7.1 Zero point calibration

- ▶ Hold up the refractometer against a sufficiently bright light source and look through the eyepiece [4], holding the eyepiece closely against your eye/glasses.
- ▶ Rotate the eyepiece [4] to adjust it for your eyesight, until you can see the scale sharply.
- ▶ Open the prism cover [1].
- ▶ Thoroughly clean the prism [2] and the underside of the prism cover [1] using a soft cloth or soft paper (with alcohol if necessary) and wipe dry. Water should only ever be applied to the measuring prism, not to other parts of the device.
- ▶ Now apply a few drops of the calibration liquid [10] onto the prism surface [2].
- ▶ close the prism cover [1]. The amount of fluid should be sufficient to moisten most of the prism surface. There should not be any air bubbles between the measuring prism [2] and prism cover [1].
- ▶ Wait about 30 seconds to allow the temperatures of the test fluid and prism to equalise.
- ▶ Look through the eyepiece [4] while pointing the refractometer's prism surface [2] at a bright light source.
- ▶ Through the eyepiece [4], you will see a bright and a blue field. The boundary line between them shows the refractive index value on the scale which is also visible through the eyepiece [4].
- ▶ With the aid of the supplied adjustment tool [11] to turn the adjustment screw [3] at the side of the prism surface [2] the scale can be adjusted so that the measuring device is optimally set up by moving the boundary line upwards or downwards.

Calibration value: 0 % (Brix)

- ▶ For refractometers without automatic temperature compensation (ATC): Convert the measured value to take account of the deviation in room and sample temperature from +20 °C. (See the table at the end of this manual, Point 14.)
- ▶ Repeat step 4 (cleaning).

Important!

The ambient/room temperature and the sample temperature influence the refractometer measuring result. The scales are designed for an ambient temperature of +20 °C! If the measurements are carried out at a temperature other than +20 °C, the results must be correspondingly corrected. A correction table can be found in the annex, Point 14.



8

7.2 Additional advice

It is important that the samples being measured are representative samples. Measurements should be carried out quickly on samples that evaporate easily. If possible, the samples should be at the same temperature as the measuring instrument in order to achieve an accurate result.

7.3 Measuring procedure

- ▶ Make sure your hands are dry before handling the refractometer.
- ▶ Open the prism cover [1] and use the supplied pipette [8] to apply a few drops of the sample liquid [8] onto the prism surface [2], then close the prism cover [1]. Spread the liquid evenly by pressing down on the prism cover [1] and eliminate any air bubbles present.
- ▶ Hold the device horizontally and wait about 30 seconds (for optimal temperature equalisation between the sample and device).
- ▶ View the measurement scale through the eyepiece [4]. Point the prism surface [2] of the refractometer at a bright light source while doing this.
- ▶ Rotate the adjustment ring [5] on the eyepiece [4] to adjust the focus.
- ▶ The boundary line will move on the measurement scale depending on the concentration. This bright/dark boundary line shows the result directly on the scale.
- ▶ If the temperature deviates from +20 °C, correct the measured result using the corresponding value from the temperature correction table [13].
- ▶ Carefully clean the supplied pipette [8] and the refractometer after carrying out the measurement.

Important!

After every measurement, use a lint-free, absorbent cloth to remove the fluids from the prism surface [2] and prism cover [1]. Then carefully clean the prism and prism cover using a cloth moistened with water and dry both parts using a soft, dry and lint-free cloth. Avoid rubbing the prism [2].



10

8. Cleaning and maintenance

Clean the refractometer using a soft, lint-free cloth moistened with water, or if necessary alcohol. Do not use any aggressive or abrasive cleaning agents. Never immerse the device in water or hold it under running water. Never handle the device with wet or damp hands.

Never touch the measuring prism [2] with hard tools made from plastic, wood, rubber, metal, glass etc. Hard objects can quickly damage the relatively soft prism glass, resulting in measurement errors.

The refractometer is maintenance-free.

Cleaning should be carried out immediately before and after each use of the refractometer to maximise its life and optimise measurement results.

9. Storage

Store the refractometer in a dry, non-corrosive environment, preferably between 10 °C and 30 °C.

10. Service

After reading this operating manual, if you have any questions about setting up or using the refractometer, or if any unexpected problem occurs, please contact your dealer. The device housing may only be opened by trained service technicians authorised by KERN.

11. Disposal

The packaging consists of environmentally friendly materials which can be disposed of via local recycling facilities.

The device and storage box should be disposed of by the operator in accordance with applicable national or regional regulations at the place of use.

12. Additional information

The product may differ slightly from the illustrations. Avoid exposing the refractometer to direct sunlight. Never bring the refractometer into contact with solvents.

13. Brix to refractive index (nD) conversion table

Data from „ICUMSA“ International Commission for Uniform Methods of Sugar Analysis, at 20 °C and 589 nm wavelength.

Refractive index	BRIX		Refractive index	BRIX		Refractive index	BRIX	
	%	nD		%	nD		%	nD
1.44193	60	1.44193	30	1.33299	0	1.33299	0	1.33299
1.44420	61	1.44420	31	1.33442	1	1.33442	1	1.33442
1.44650	62	1.44650	32	1.33586	2	1.33586	2	1.33586
1.44881	63	1.44881	33	1.33732	3	1.33732	3	1.33732
1.45113	64	1.45113	34	1.33879	4	1.33879	4	1.33879
1.45348	65	1.45348	35	1.34026	5	1.34026	5	1.34026
1.45584	66	1.45584	36	1.34175	6	1.34175	6	1.34175
1.45822	67	1.45822	37	1.34325	7	1.34325	7	1.34325
1.46061	68	1.46061	38	1.34476	8	1.34476	8	1.34476
1.46303	69	1.46303	39	1.34629	9	1.34629	9	1.34629
1.46546	70	1.46546	40	1.34782	10	1.34782	10	1.34782
1.46792	71	1.46792	41	1.34937	11	1.34937	11	1.34937
1.47037	72	1.47037	42	1.35093	12	1.35093	12	1.35093
1.47285	73	1.47285	43	1.35250	13	1.35250	13	1.35250
1.47535	74	1.47535	44	1.35408	14	1.35408	14	1.35408
1.47787	75	1.47787	45	1.35566	15	1.35566	15	1.35566
1.48040	76	1.48040	46	1.35725	16	1.35725	16	1.35725
1.48295	77	1.48295	47	1.35884	17	1.35884	17	1.35884
1.48552	78	1.48552	48	1.36044	18	1.36044	18	1.36044
1.48811	79	1.48811	49	1.36204	19	1.36204	19	1.36204
1.49071	80	1.49071	50	1.36364	20	1.36364	20	1.36364
1.49333	81	1.49333	51	1.36525	21	1.36525	21	1.36525
1.49597	82	1.49597	52	1.36687	22	1.36687	22	1.36687
1.49862	83	1.49862	53	1.36849	23	1.36849	23	1.36849
1.50129	84	1.50129	54	1.37012	24	1.37012	24	1.37012
1.50398	85	1.50398	55	1.37175	25	1.37175	25	1.37175
			56	1.37339	26	1.37339	26	1.37339
			57	1.37503	27	1.37503	27	1.37503
			58	1.37668	28	1.37668	28	1.37668
			59	1.37832	29	1.37832	29	1.37832

11

12

13

14. Annex

Table 1: International Temperature Correction Table for °Brix (% sugar gradient) Correct the result by the following values (refractometer must be correctly calibrated at 20 °C).

Temperature °C	% Brix reading		10.0	15.0	20.0	25.0	30.0	35.0	40.0	45.0	50.0	55.0	60.0	65.0	70.0	75.0	80.0	85.0
	0.0	5.0																
10.0	-0.53	-0.56	-0.59	-0.62	-0.65	-0.67	-0.69	-0.71	-0.72	-0.73	-0.74	-0.75	-0.75	-0.75	-0.75	-0.74	-0.73	-0.73
11.0	-0.49	-0.52	-0.54	-0.57	-0.59	-0.61	-0.63	-0.64	-0.65	-0.66	-0.67	-0.68	-0.68	-0.68	-0.67	-0.67	-0.67	-0.66
12.0	-0.44	-0.47	-0.49	-0.51	-0.53	-0.55	-0.56	-0.57	-0.58	-0.59	-0.60	-0.61	-0.61	-0.61	-0.60	-0.60	-0.60	-0.59
13.0	-0.40	-0.41	-0.43	-0.45	-0.47	-0.48	-0.48	-0.50	-0.51	-0.52	-0.53	-0.53	-0.53	-0.53	-0.52	-0.52	-0.52	-0.52
14.0	-0.34	-0.36	-0.38	-0.39	-0.40	-0.42	-0.43	-0.44	-0.44	-0.45	-0.45	-0.46	-0.46	-0.46	-0.45	-0.45	-0.44	-0.44
15.0	-0.29	-0.31	-0.32	-0.33	-0.34	-0.35	-0.36	-0.37	-0.38	-0.38	-0.38	-0.38	-0.38	-0.38	-0.38	-0.37	-0.37	-0.37
16.0	-0.24	-0.25	-0.26	-0.27	-0.28	-0.28	-0.29	-0.30	-0.30	-0.31	-0.31	-0.31	-0.31	-0.31	-0.30	-0.30	-0.30	-0.30
17.0	-0.18	-0.19	-0.20	-0.20	-0.21	-0.21	-0.22	-0.22	-0.23	-0.23	-0.23	-0.23	-0.23	-0.23	-0.23	-0.23	-0.23	-0.22
18.0	-0.12	-0.13	-0.13	-0.14	-0.14	-0.14	-0.15	-0.15	-0.15	-0.15	-0.15	-0.15	-0.15	-0.15	-0.15	-0.15	-0.15	-0.15
19.0	-0.06	-0.06	-0.07	-0.07	-0.07	-0.07	-0.08	-0.08	-0.08	-0.08	-0.08	-0.08	-0.08	-0.08	-0.08	-0.08	-0.08	-0.07
20.0	0.00	0.00	0.00	0.00	0.00	0.00	0.00	0.00	0.00	0.00	0.00	0.00	0.00	0.00	0.00	0.00	0.00	0.00
21.0	0.06	0.07	0.07	0.07	0.07	0.07	0.08	0.08	0.08	0.08	0.08	0.08	0.08	0.08	0.08	0.08	0.08	0.07
22.0	0.13	0.14	0.14	0.15	0.15	0.15	0.16	0.16	0.16	0.16	0.16	0.16	0.16	0.16	0.15	0.15	0.15	0.15
23.0	0.20	0.21	0.21	0.22	0.22	0.23	0.23	0.23	0.23	0.24	0.24	0.24	0.24	0.23	0.23	0.23	0.23	0.22
24.0	0.27	0.28	0.29	0.29	0.30	0.30	0.31	0.31	0.31	0.32	0.32	0.32	0.32	0.31	0.31	0.31	0.30	0.30
25.0	0.34	0.35	0.36	0.37	0.38	0.38	0.39	0.39	0.40	0.40	0.40	0.40	0.40	0.39	0.39	0.39	0.38	0.37
26.0	0.42	0.43	0.44	0.45	0.46	0.46	0.47	0.47	0.48	0.48	0.48	0.48	0.48	0.47	0.47	0.46	0.46	0.46
27.0	0.50	0.51	0.52	0.53	0.54	0.55	0.55	0.56	0.56	0.56	0.56	0.56	0.56	0.55	0.55	0.54	0.53	0.52
28.0	0.58	0.59	0.60	0.61	0.62	0.63	0.64	0.64	0.64	0.65	0.65	0.64	0.64	0.63	0.63	0.62	0.61	0.60
29.0	0.66	0.67	0.68	0.69	0.70	0.71	0.72	0.73	0.73	0.73	0.73	0.73	0.72	0.72	0.71	0.70	0.69	0.68
30.0	0.74	0.75	0.77	0.78	0.79	0.80	0.81	0.81	0.81	0.82	0.81	0.81	0.81	0.80	0.79	0.78	0.77	0.75

14