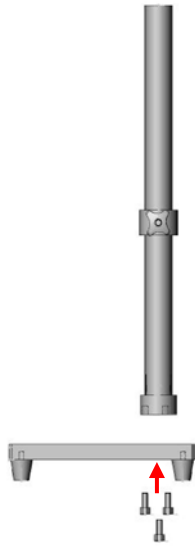


# KERN OZB-A5203

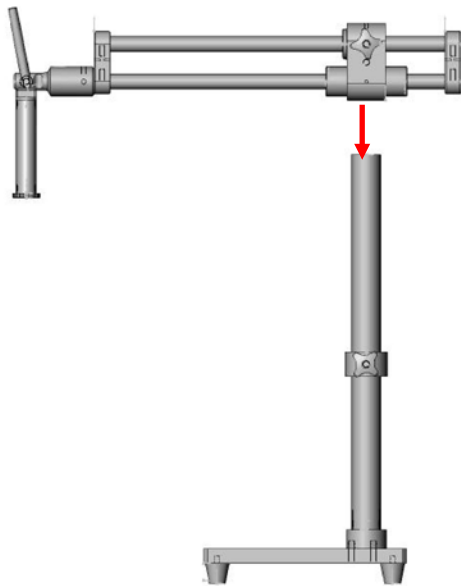
Version 1.0  
07/2024



1. Use 3 hexagon socket head screws to connect the base plate and the column.



2. Install the U3 cross arm onto the column.



3. The finished product is as shown below after installation.

