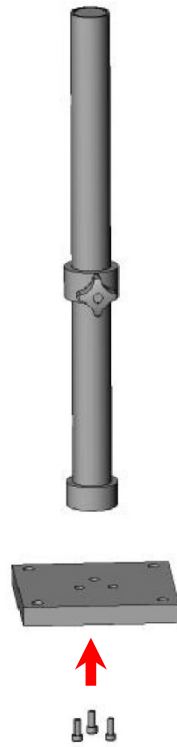


KERN OZB-A5221

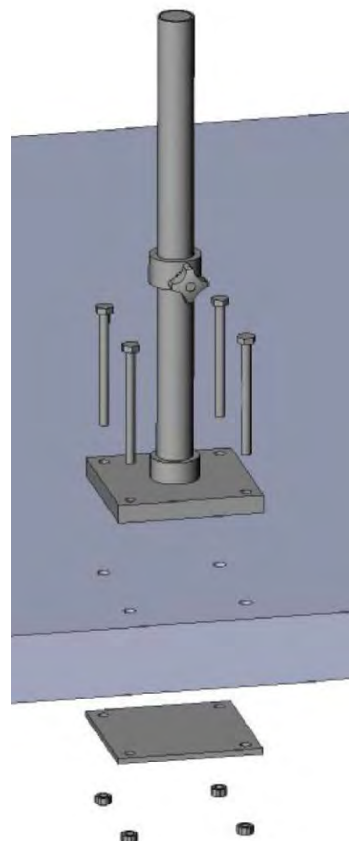
Version 1.0
07/2024



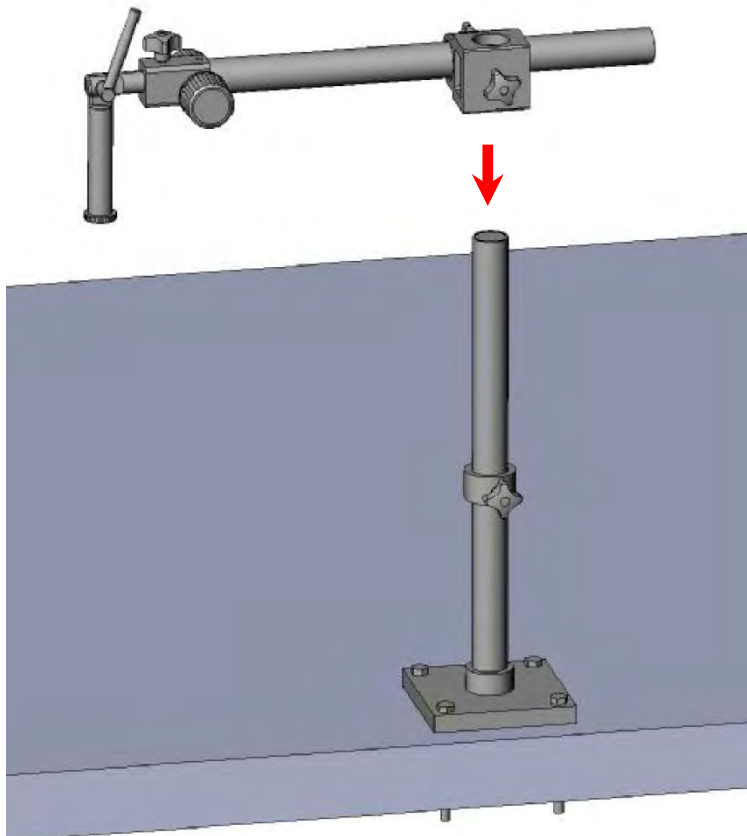
1. Use 3 hexagon socket head screws to connect the thicker small square plate and the column.



2. Use 4 long bolts and nuts to fix 1 thick and 1 thin small square plate to the plane.



3. Install the U1 cross arm on the column.



4. The finished product after installation is as shown below.

