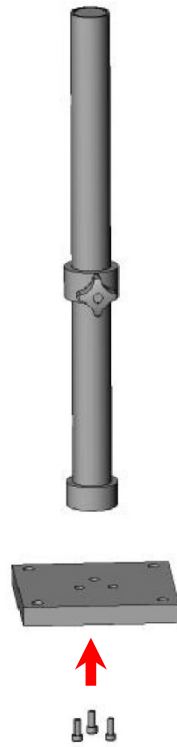


KERN OZB-A5222

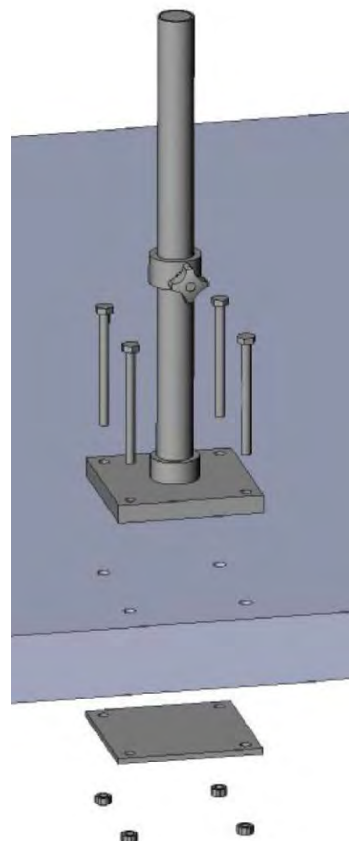
Version 1.0
07/2024



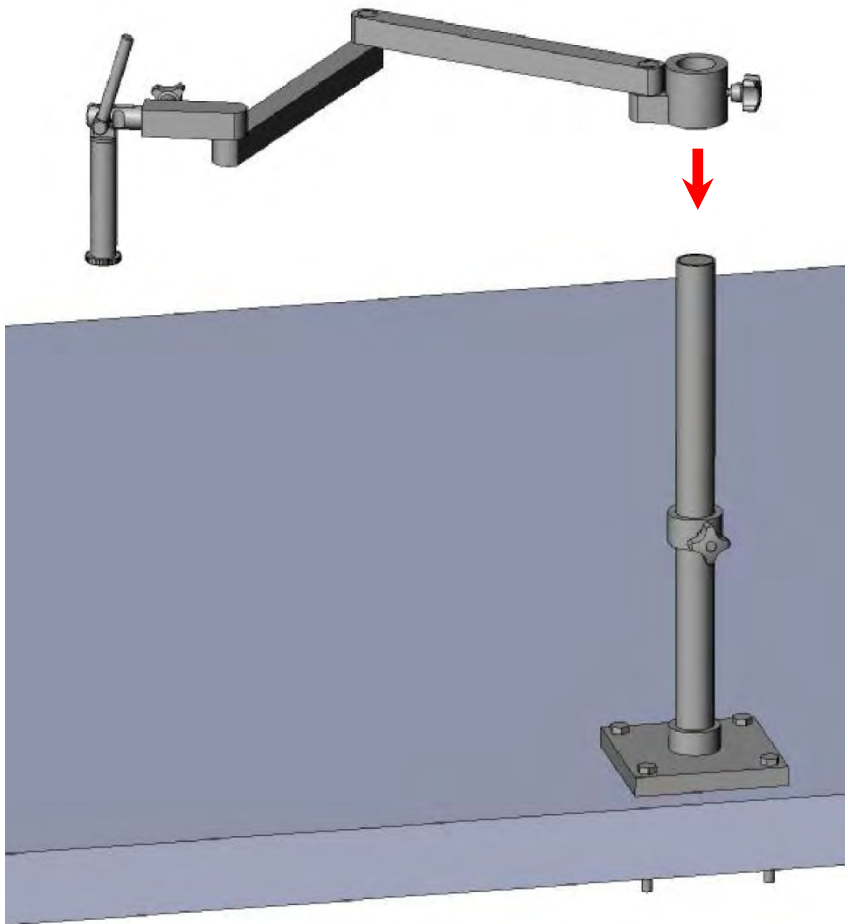
1. Use 3 hexagon socket head screws to connect the thicker small square plate and the column.



2. As shown in the figure below, use 4 long bolts and nuts to fix 1 thick and 1 thin small square plate to the plane.



3. Install the U2 elbow onto the column.



4. The finished product after installation is as shown below.

