

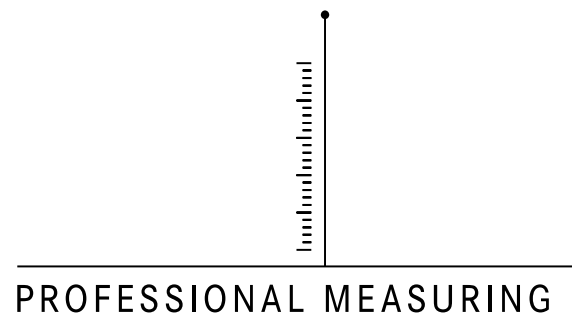


Sauter GmbH

Instruction Manual / Data sheet

CK P1

V. 1.0
12/2018
GB



CK P1-BA-e-1810



SAUTER CK P1

V. 1.0 12/2018

Instruction Manual / Data sheet

Summarize:

1	Short description	3
2	Available models.....	3
3	Introduction.....	3
4	Warning notes	3
5	Warranty	3
6	Detailed specifications	4
7	Wiring.....	4
8	Dimensions in mm.....	5
9	Certificate of Compliance.....	5

1 Short description

- Aluminum IP65 (acc. to EN 60529) bending miniature sensor
- Suitable for homemade, miniature and kitchen scales
- High accuracy
- RoHS conform

2 Available models

Capacity	Model
0.6kg	CK 600-0P1
1kg	CK 1-0P1
2kg	CK 2-0P1
3kg	CK 3-0P1
5kg	CK 5-0P1
6kg	CK 6-0P1

3 Introduction

Please pay attention to the notes of the operating manual: read these operating manual carefully before commissioning, even if you already have experience with SAUTER measuring cells.

After receiving the measuring cell, it should be checked in advance whether no transport damage has occurred, whether the outer packaging or other parts or even the article itself has been damaged. If any damage is evident, please inform SAUTER GmbH immediately.

4 Warning notes

Observe the national accident prevention regulations.

Not correct executed use of the measuring cell can lead to serious injuries, death, material damage and personal injuries. Use only by trained and experienced people. Never load more than the max. capacity to a measuring cell. Overloaded measuring cells no longer have the required accuracy. Overloaded or deformed measuring cells are no longer allowed to use and must be changed quickly.

Never step under suspended loads.

Always fasten overload- or break security to your construction.

Pay attention to the allowed static and dynamic loads of the used equipment.

Let the measuring cells calibrate at regular intervals.

Only load the measuring cell in its specified load direction. Avoid lateral forces.

Control the measuring cells to deformations and cracks.

Measuring cells with 4-Conductor cable will change their characteristic value when shortened or extended the cable length.

5 Warranty

The warranty expires at:

- Disregard of the specifications of the operating manual
- Modification or opening the measuring cell
- Overload
- Mechanical damages

- Damage caused by liquids or media
- Natural loss
- Not correct installation

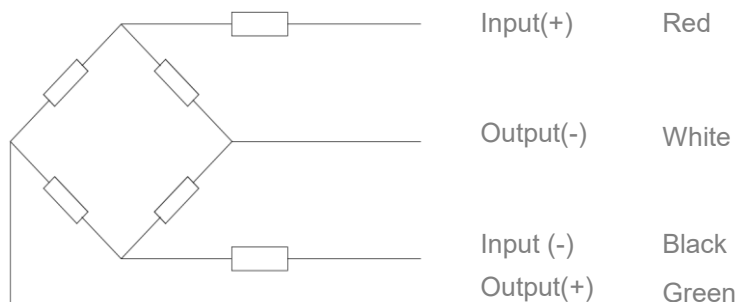
6 Detailed specifications

Maximum capacity (Emax)	kg	0.6	1	2, 3, 5, 6
Output sensitivity (= FS)	mV/V	1.0±0.15	1.5±0.15	1.2±0.15
Combined Error	of FS	0.03%		
Temperature effect on zero	%FS/10°C	±1.0	±1.0	±0.3
Temperature effect on Sensitivity	%FS/10°C	±0.03		
Minimum dead load	of Emax	0%		
Safe overload	of Emax	150 %		
Ultimate overload	of Emax	300%		
Zero output	mV/V	± 0.1		
Excitation, recommended voltage	V	5 ~ 9		
Excitation maximum	V	10		
Input resistance	Ω	1055 ± 10		
Output resistance	Ω	1000 ± 10		
Insulation resistance	MΩ	≥2000 (at 50VDC)		
Compensated temperature	°C	-10 ~+40		
Operating temperature	°C	-10 ~ +40		
Storage temperature	°C	-20 ~ +65		
Element material		Aluminum		
Creep	%FS/5	±0.03		
Non-linearity	%FS	±0.03		
Repeatability	%FS	±0.03		
Hysteresis	%FS	±0.03		

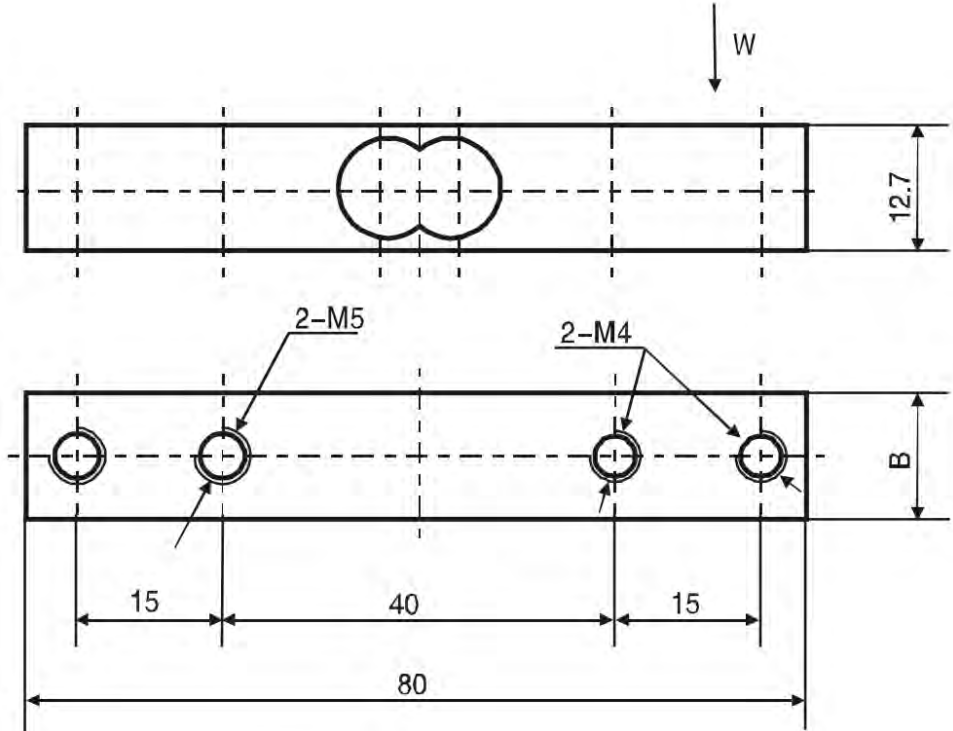
7 Wiring

4 separate conductor cables.
Standard cables length: 0.25m.

4-wire diagram



8 Dimensions in mm



Dimension Capacity	B
0.6kg – 2kg	10
3kg – 6kg	12.7

9 Certificate of Compliance

The Certificate of Compliance can be downloaded from the website www.sauter.eu