



Sauter GmbH

Instruction Manual / Data sheet

SAUTER CO Y5

V. 1.0
06/2021
GB



PROFESSIONAL MEASURING

CO Y5-BA-e-2120.docx



SAUTER CO Y5

V. 1.0 06/2021

Instruction Manual / Data sheet

Summarize:

1	Short description	3
2	Available models.....	3
3	Introduction.....	3
4	Warning notes.....	3
5	Warranty	4
6	Detailed specifications	4
7	Wiring.....	5
8	Dimensions in mm.....	5
9	Certificate of Compliance.....	5

1 Short description

- Stainless steel IP66 (acc. to EN 60529) tension / compression load cell
- Suitable for test stands, force gauges, automation plants, etc.
- Accuracy OIML R60 G1
- Very low height
- Option on request accuracy C4
- RoHS conform

2 Available models

Capacity	Model
0,5 kg (≈5N)	CO 0.5-Y5
1 kg (≈10N)	CO 1-Y5
5 kg (≈50N)	CO 5-Y5
10 kg (≈100N)	CO 10-Y5

3 Introduction

Please pay attention to the notes of the operating manual: read these operating manual carefully before commissioning, even if you already have experience with SAUTER measuring cells.

After receiving the measuring cell, it should be checked in advance whether no transport damage has occurred, whether the outer packaging or other parts or even the article itself has been damaged. If any damage is evident, please inform SAUTER GmbH immediately.

4 Warning notes

Observe the national accident prevention regulations.

Not correct executed use of the measuring cell can lead to serious injuries, death, material damage and personal injuries. Use only by trained and experienced people.

Never load more than the max. capacity to a measuring cell. Overloaded measuring cells no longer have the required accuracy. Overloaded or deformed measuring cells are no longer allowed to use and must be changed quickly.

Never step under suspended loads.

Always fasten overload- or break security to your construction.

Pay attention to the allowed static and dynamic loads of the used equipment.

Let the measuring cells calibrate at regular intervals.

Only load the measuring cell in its specified load direction. Avoid lateral forces.

Control the measuring cells to deformations and cracks.

Measuring cells with 4-Conductor cable will change their characteristic value when shortened or extended the cable length.

5 Warranty

The warranty expires at:

- Disregard of the specifications of the operating manual
- Modification or opening the measuring cell
- Overload
- Mechanical damages
- Damage caused by liquids or media
- Natural loss
- Not correct installation

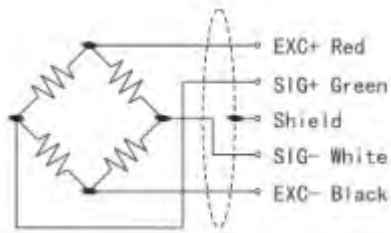
6 Detailed specifications

Output sensitivity (FS)	mV/V	1.0 ± 10%	2.0 ± 10%
Maximum capacity (Emax)	N	5, 10	50, 100
	kg	0,5; 1	5, 10
Combined Error	%FS	≤± 0.1	
Temp. effect on span	%F.S/10°C	± 0.05	
Temp. effect on Zero	%F.S/10°C	± 0.05	
Minimum dead load	Of Emax	0%	
Safe overload	of Emax	200 %	
Ultimate overload	of Emax	500 %	
Zero balance	of FS	< ± 2 %	
Excitation, recommended voltage	V	10 ~ 15	
Input resistance	Ω	680 ± 10	
Output resistance	Ω	680 ± 10	
Insulation resistance	MΩ	≥5000 (at 100VDC)	
Compensated temperature	°C	-10 ~+60	
Operating temperature	°C	-20 ~ +80	

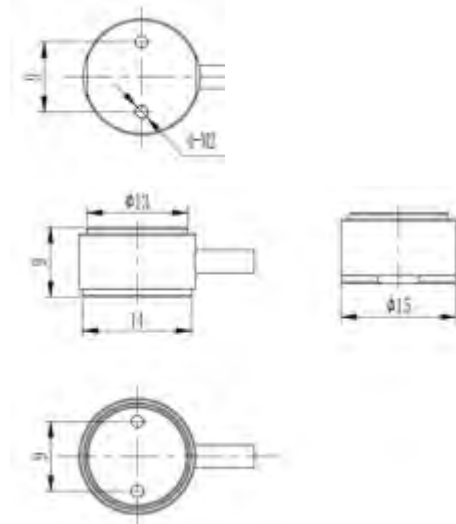
7 Wiring

Shielded, 4 conductor cable. Shield not connected to element.

4-wire diagram



8 Dimensions in mm



9 Certificate of Compliance

To have a look at the CE Declaration of Conformity, please click onto the following link:

<https://www.kern-sohn.com/shop/de/Downloads>