



Sauter GmbH

Datasheet Adjustable mounting high

SAUTER CE P4022

V. 1.0
03/2021
GB



PROFESSIONAL MEASURING

CE P4022-BA-e-2110.docx



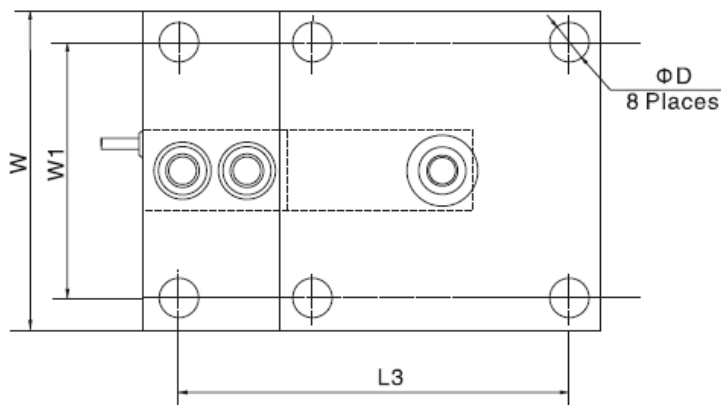
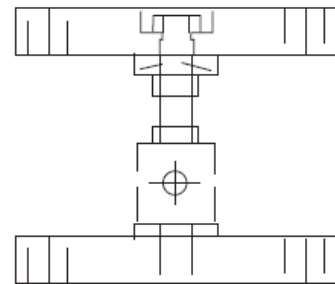
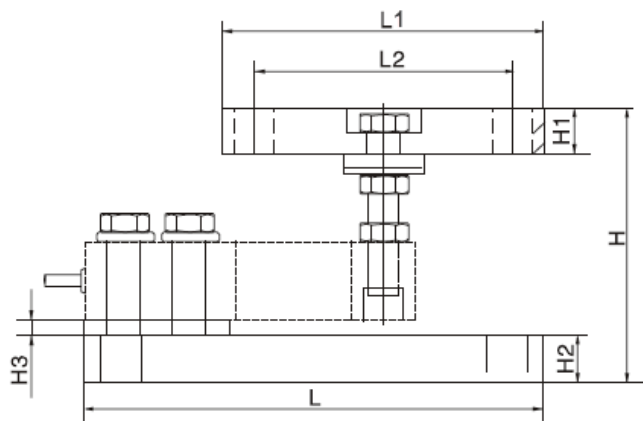
SAUTER CE P4022

V. 1.0 03/2021

Datasheet Adjustable mounting hight

1 Dimensions

Dimension Capacity	L	L1	L2	L3	H	H1	H2	H3	W	W1	ØD
0.5t – 2t	180.9	127	101.6	152.4	100-120	18	18	6.1	127	101.6	16
2.5t – 5t	215.9	127	101.6	177.8	130-150	26	26	6.1	127	101.6	16
10t	285.8	177.8	127	235	195-215	38	38	6.1	177.8	127	21



2 Material

Nickel plated steel