



**Sauter GmbH**

## Data sheet mounting kit

### **SAUTER CE P14150 / CE P41430**

V. 1.0  
01/2019  
GB



Illustration with measuring cell SAUTER CD P1 (not included)



PROFESSIONAL MEASURING

CE P14150-CE P41430-BA-e-1810



# SAUTER CE P14150 / CE P41430

V. 1.0 01/2019

## Data sheet mounting kit

---

---

Summarize:

<b>1</b>	<b>Short discription .....</b>	<b>3</b>
<b>2</b>	<b>Delivery .....</b>	<b>3</b>
<b>2.1</b>	<b>CE P41430 .....</b>	<b>3</b>
<b>2.2</b>	<b>CE P14150 .....</b>	<b>3</b>
<b>3</b>	<b>Available Models.....</b>	<b>3</b>
<b>3.1</b>	<b>CE P41430 .....</b>	<b>3</b>
<b>3.2</b>	<b>CE P14150 .....</b>	<b>3</b>
<b>4</b>	<b>Before Use .....</b>	<b>3</b>
<b>5</b>	<b>Detailed specifications .....</b>	<b>3</b>
<b>6</b>	<b>Dimensions in mm .....</b>	<b>4</b>
<b>7</b>	<b>Certificate of Compliance.....</b>	<b>4</b>

## 1 Short discription

Stainless steel mounting kit for SAUTER CD P1 measuring cell with lift of protection, inclusive rocker support.

## 2 Delivery

### 2.1 CE P41430

Mounting kit incl. rocker support CE P10330

### 2.2 CE P14150

Mounting kit incl. rocker support CE P10350

## 3 Available Models

### 3.1 CE P41430

Suitable for models CD 10-3P1 und CD 20-3P1

### 3.2 CE P14150

Suitable for models CD 40-3P1 und CD 50-3P1

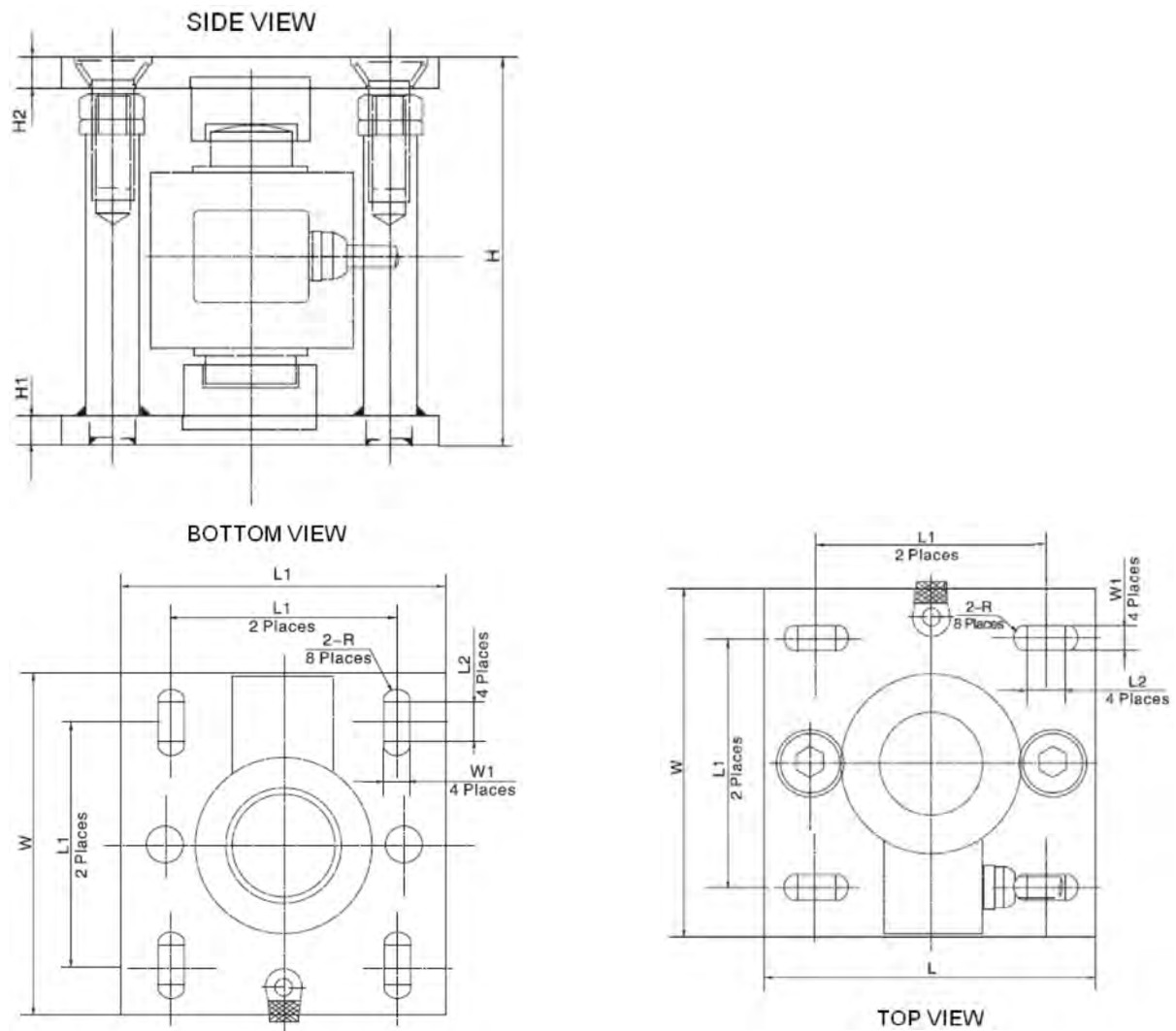
## 4 Before Use

After receiving the article, it should be checked in advance whether no transport damage has occurred, whether the outer packaging or other parts or even the article itself has been damaged. If any damage is evident, please inform SAUTER GmbH immediately.

## 5 Detailed specifications

Max. vertical force (down)	45 kN
Max. vertical force (up)	35 kN
Max. horizontal force	10 kN
Max. horizontal movement	+1 / -1 mm

## 6 Dimensions in mm



H	H1	H2	L	L1	L2	W	W1
193	15	16.5	180	120	18	180	18

## 7 Certificate of Compliance

To have a look at the CE Declaration of Conformity, please click onto the following link:  
<https://www.kern-sohn.com/shop/de/Downloads>