



## GLASSWARE HOLDER FOR MICROBIO

**REF. 403 SI**

### **TECHNICAL DOCUMENT**



**CE CERTIFICATION**



# CONTENTS

<b>1. SAFETY INFORMATION .....</b>	<b>3</b>
<b>2. COMMISSIONING AND INSTALLATION .....</b>	<b>4</b>
<b>3. TECHNICAL CHARACTERISTICS .....</b>	<b>5</b>
<b>4. INSTRUCTIONS .....</b>	<b>6</b>

## 1. SAFETY INFORMATION

### WARNING

- STAINLESS STEEL glassware holder, to be installed on the MICROBIO sold by K-FACTORY, risk of burns when the unit is heated.
- Do not insert fingers into the holes in the plate.
- Installation on cold MICROBIO.
- Wait 10 minutes to cool before handling manually, risk of burns and metal deformation.
- Do not scratch the metal, to preserve its durability.
- Do not place electrical appliances on the holder, as there is a risk of electrocution.

**NOTE** : the device must be used in accordance with the above instructions to avoid compromising safety.

## 2. COMMISSIONING AND INSTALLATION

The holder is made of heat-treated STAINLESS STEEL. The material is resistant to corrosive products.

Environmental conditions : use with MICROBIO only; temperature from +20°C to +80°C;

### **Mounting the holder on the MICROBIO:**

Insert the metal rods into the holder's recesses.



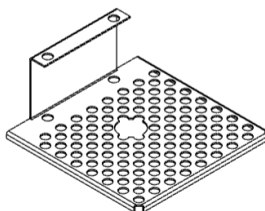
Screw the rods into the nuts on the back of the MICROBIO:



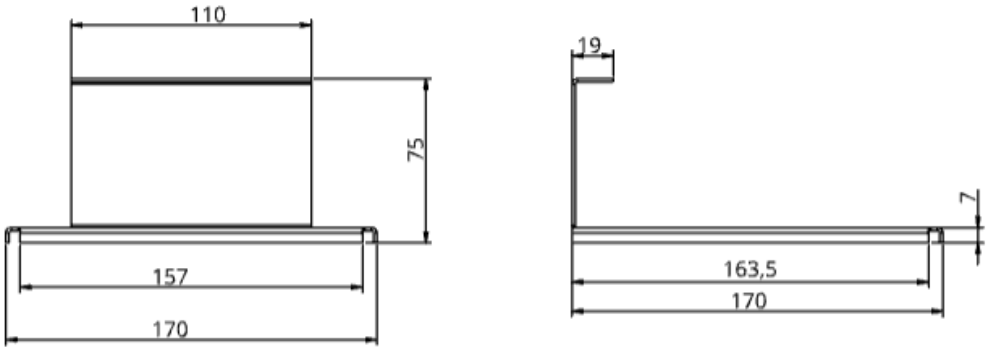
### 3. TECHNICAL CHARACTERISTICS



WEIGHT (gram)	75 G
DIMENSIONS (mm)	350 (L) x 10 (D)
THREAD	M 6
MAX. TEMPERATURE	Up to 1000 °C



WEIGHT (gram)	367 G
DIMENSIONS (mm)	See diagram below
OPENING DIAMETER (mm)	10
MAX. TEMPERATURE	Up to 1000 °C



In millimeter (=mm)

## 4. INSTRUCTIONS

**ATTENTION:** Always observe the safety instructions.  
You are about to use a holder for a **HIGH TEMPERATURE** device.

**TO MOVE THE HOLDER, YOU MUST WAIT 10 MINS BEFORE PHYSICAL CONTACT.**

- The K-FACTORY glassware holder offers a tray to support the load of full containers to be heated. Its porosity ensures better heat distribution and uniform heating throughout the tray.
- A space is provided in the centre for a flask.



- The rods can accommodate laboratory clamps for holding test tubes.