



Catapult™ 1000

Compact Precision Bench Scales



Rugged design, Economical form, OHAUS quality.

OHAUS Catapult™ 1000 compact bench scales offer users reliable and precise performance in an affordable, convenient high quality design. The Catapult 1000 family offers three capacities, from 9kg up to 75kg, reading in pounds and kilograms (2,000 divisions), in both standard weigh and dynamic modes. Catapult 1000 scales are easy to transport and carry due to their light weight and built in handles below the scale. Other standard features include an AC power pack, as well as battery operation with power saving auto-shut off mode. A stainless steel weighing pan is also optional. OHAUS Catapult 1000 series compact bench scales are the perfect solution for home use, general shipping applications, veterinary weighing, and other dry weighing applications where low cost, portability, and precision are required.

Standard Features Include:

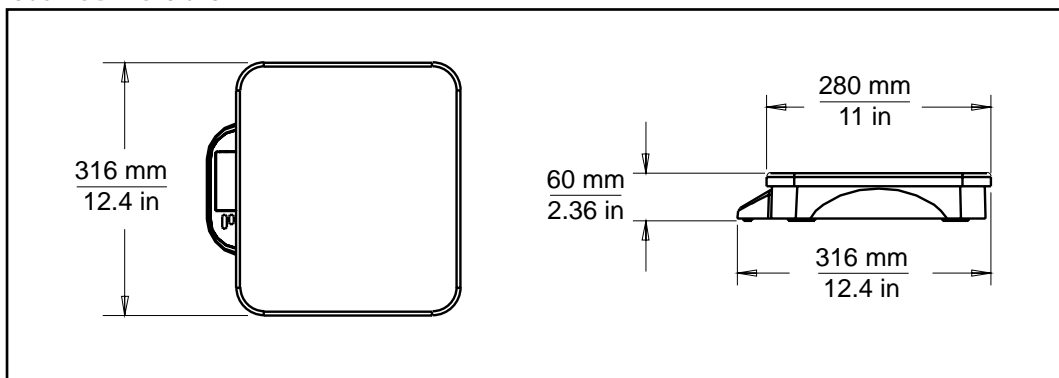
- **Ultra Portable Design** – Catapult 1000 is easy to transport and hold with it's light weight, battery operation, and built in handles below the scale
- **Extremely Durable** – “Stand on me” extreme overload protection is designed into Catapult 1000 weigh cells and makes the scale ideal for tough environments where capacity is exceeded regularly
- **Most Value in its Class** – All Catapult 1000 scales come standard with Dynamic weighing mode, auto shutoff, battery or AC power and unparalleled OHAUS durability

Catapult™ 1000 Compact Bench Scales

Specifications

Model	C11P9	C11P20	C11P75
Capacity (lb)	20	44	165
Readability (lb)	0.01	0.02	0.1
Capacity (kg)	9	20	75
Readability (kg)	0.005	0.01	0.05
Weighing Units/Modes	lb,kg		
Functions	Averaging mode, Stability indicator, Low battery warning, Auto Zero Tracking Auto Shutoff		
Keyboard	Two mechanical switches		
Calibration	Digital External Span calibration		
Display	LCD Total Viewing area: 26 mm H x 70 mm W		
Display Indicators	7 segment 4 digit		
Tare Range	Full capacity by subtraction		
Stabilization Time	<=2 seconds		
Operating Temp. & humidity	5° C to 40° C at 10% to 80% relative humidity, non-condensing		
Construction	ABS plastic housing and pan, Stainless Steel pan option		
Power	AC powered (included) or 3 1 1/2 volts C Batteries (not included)		
Battery Life	300 hours with alkaline cells, auto off after 4 minutes of inactivity		
Dimensions mm (L x W x H)	266 x 304 x 60		
Pan size mm (L x W)	280 x 316		
Net Weight	1.5 kg (not including AC adapter)		
Shipping Weight	2kg		

Outline Dimensions



Standard Features

Built in carry handles, LCD with fast readout display, ABS plastic housing with reinforced ribs, two raised tactile keys, standard AC power adapter or three "C" cell battery operation (batteries not included), low battery detect (low bat warning, safe shut down), rubber non-slip feet, digital external calibration

Accessories

Stainless steel weighing pan (p/n 80251248)

Compliance

- **Electrical/Emissions:** Meets requirements of approval agencies: UL/CSA (adapter), FCC, CE Safety EN60950, EMC EN61326
Compliant to Directive 2002/96/EC on waste electrical and electronic equipment (WEEE)
- **Quality:** Ohaus quality management system registered to ISO 9001:2008

* ISO 9001:2008
Registered Quality Management System

80774363 © Copyright Ohaus Corporation

