



COMPASS™ CR SERIES

Portable Scales



Quality Portable Electronic Scales Suitable for Everyday Weighing

The Compass CR series provides basic weighing functionality and competitive performance at an economical price. Features such as a slim, stackable design, and an enlarged weighing platform, make the CR series perfect for a variety of portable weighing applications.

Standard Features:

- Intuitive two-button design makes for easy operation.
- Slim, space-saving design allows for stackable storage.
- Enlarged weighing platform can adequately handle large samples and a variety of objects.

COMPASS™ CR SERIES *Portable Scales*

Model	CR221	CR621	CR2200	CR5200
Capacity (g)	220	620	2200	5200
Readability (g)	0.1		1	
Span Calibration Mass (Not Included)	200 g	500 g	1 kg	2 kg
Stabilization Time (s)	2			
Construction	ABS housing and pan			
Calibration	User-selectable external span / Digital with external weight			
Tare Range	Full capacity by subtraction			
Weighing Units*	g, ozt, dwt, lb:oz			
Application Modes	Weighing			
Power Requirement	3 AA batteries (included) or AC adapter (not included)			
Typical Battery Life	300 hours			
Display Type	Liquid crystal display (LCD)			
Display Size	15 mm digits			
Pan Size (W × D)	125 × 132 mm			
Balance Dimensions (W × D × H)	140 × 205 × 41 mm			
Shipping Dimensions (W × D × H)	170 × 235 × 55 mm			
Net Weight	0.4 kg			
Shipping Weight	0.6 kg			

* Availability is dependent on model.

Other Standard Features and Equipment

ABS housing and pan, slip-resistant feet, stability indicator, mechanical and software overload/underload protection, auto shut-off

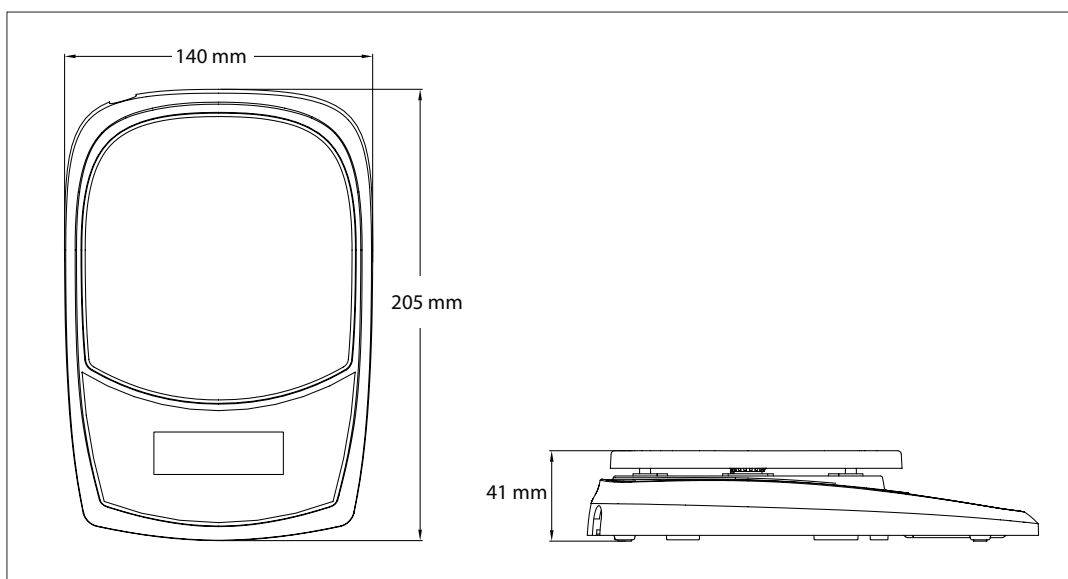
Compliance

- **Product Safety:** IEC/EN 61010-1
- **Electromagnetic Compatibility:** IEC/EN 61326-1 Class B, Basic environments; FCC Part 15 Class B; Canada ICES-003 Class B
- **Compliance Marks:** CE; RCM

Accessories

Carrying Case	30467763
Bowl, 1050 mL	80850075
Adapter with plugs (EU-US-UK-AU-KR).....	30467987
Adapter, 12V 0.5A, fixed UK plug	30043166

Dimensions



775693_A 20190526 © Copyright OHAUS Corporation

