



# FRONTIER™ 5515 & 5515R

High-Speed Micro Centrifuges



## *Smooth and Dependable High-Speed Micro Centrifuges for Liquid Separation Applications*

Frontier™ 5515 and 5515R Benchtop Micro Centrifuges provide high-speed operation for spin-down applications requiring a wide variety of tube volumes and capacities. With refrigeration capabilities (FC5515R), 10 acceleration/deceleration settings, multiple safety features, and an unmatched capacity, Frontier™ provides stable liquid separation for applications requiring high-speed operation.

### *Unique Features:*

- Excellent functionality when used with rotors compatible with 1.5/2.0 ml or 5 ml microtubes with high throughput & BIOSEALS options, spin columns, PCR strips, cryo tubes & hematocrit capillaries.
- Designed for ease of operation, Frontier™ Micro centrifuges feature convenient control on an intuitive interface, which allows for responsive operation – even when wearing gloves.
- Enclosing all their functionalities within a small footprint, Frontier™ Micro centrifuges save valuable space on the lab bench.

# FRONTIER™ 5515 & 5515R High-Speed Micro Centrifuges

## Easy-to-Use Control Panel

- Easy-to-turn rotary knob for parameter adjustments
- Waterproof keypad provides protection that helps significantly increase the lifespan of the product
- One-touch toggling between speed, g-force, and temperature controls (R model only)
- LCD display which projects information in real-time
- View and adjust user parameters from the main screen; no need to navigate through sub-screens



## High-Performance Driven by Sophisticated Technology

- Powerful induction motor reaches speeds up to 15,200 RPM in less than 16 seconds
- Maximum g-force of 21,953 RCF
- 10 acceleration/deceleration settings
- 99 memory sets for commonly-used speed, time, and temperature settings (R Model Only)
- R models has refrigeration capabilities from 40 °C to -20 °C
  - Cools down from 23 °C to 4 °C in less than 10 minutes
  - Pre-cool feature quickly lowers the temperature of rotor and chamber before a run



## Safety Features that Prevent Injury

- Motorized lid-locking system prevents centrifuge from opening during operation
- Rotor imbalance sensing system stops the motor should the rotors become imbalanced, protecting the user from spinning rotors





## Flexibility for Varied Centrifugation Needs


- Maximum capacity of 44 x 1.5/2 ml and 12 x 5 ml tubes
- Only centrifuge in its class compatible with 6 rotors (7 rotors on 5515 model), including a PCR strip tube rotor
- The most economical centrifuge on the market to include a unique 5 ml tube rotor
- The signature snap-on rotor and lid locking system allows for quick installation of rotors with just one press of a button




# FRONTIER™ 5515 & 5515R Rotors and Adapters


	Item number	30372717			
	Description	Rotor Angle 44 x 1.5/2.0 ml V1			
	Compatible with	FC5515		FC5515R	
	Max. Speed	15,000 rpm		15,000 rpm	
	Max. RCF	21,127 x g / 21,379 x g		21,127 x g / 21,379 x g	
<b>Accessories</b>					
Order No.	Description	Vol./Tube	Diameter	Tube type	No.of Tubes/Rotor
Without Adapter	Rotor Angle 44 x 1.5/2.0 ml V1	1.5/2.0 ml	11 mm	Microtube	44
30130885	Adapter 1 x 0.5 ml D8 mm 6/pk	0.5 ml	8 mm	Microtube	44
30130884	Adapter 1 x 0.2/0.4 ml D6 mm 6/pk	0.2/0.4 ml	6 mm	Microtube	44


	Item No.	30130872			
	Description	Rotor Angle 30 x 1.5/2.0 ml Sealable			
	Compatible with	FC5515		FC5515R	
	Max. Speed	13,500 rpm		13,500 rpm	
	Max. RCF	19,151 x g		19,151 x g	
<b>Accessories</b>					
Order No.	Description	Vol./Tube	Diameter	Tube type	No.of Tubes/Rotor
Without Adapter	Rotor Angle 30 x 1.5/2.0 ml Sealable	1.5/2.0 ml	11 mm	Microtube	30
30130885	Adapter 1 x 0.5 ml D8 mm 6/pk	0.5 ml	8 mm	Microtube	30
30130884	Adapter 1 x 0.2/0.4 ml D6 mm 6/pk	0.2/0.4 ml	6 mm	Microtube	30


	Item number	30642371			
	Description	Rotor Angle 24 x 1.5/2.0 ml BIOSEALS V2			
	Compatible with	FC5515		FC5515R	
	Max. Speed	15,000 rpm		15,000 rpm	
	Max. RCF	21,379 x g		21,379 x g	
<b>Accessories</b>					
Order No.	Description	Vol./Tube	Diameter	Tube type	No.of Tubes/Rotor
Without Adapter	Rotor Angle 24 x 1.5/2.0 ml BIOSEALS V2	1.5/2.0 ml	11 mm	Microtube	24
30130885	Adapter 1 x 0.5 ml D8 mm 6/pk	0.5 ml	8 mm	Microtube	24
30130884	Adapter 1 x 0.2/0.4 ml D6 mm 6/pk	0.2/0.4 ml	6 mm	Microtube	24

	Item number	30130873			
	Description	Rotor Angle 12 x 5 ml FA Sealable			
	Compatible with	FC5515		FC5515R	
	Max. Speed	14,500 rpm		14,500 rpm	
	Max. RCF	19,978 x g		19,978 x g	
<b>Accessories</b>					
Order No.	Description	Vol./Tube	Diameter	Tube type	No.of Tubes/Rotor
Without Adapter	Rotor Angle 12 x 5 ml FA Sealable	5 ml	17 mm	Microtube	12
30130886	Adapter 1 x 1.5/2.0 ml D11 mm 6/pk	1.5/2.0 ml	11 mm	Microtube	12
30130887	Adapter 1 x 1 ml D12.6 mm Cryo 6/pk	1 ml	12.6 mm	Cryo Tube - Flat Bottom	12
30130888	Adapter 1 x 1.8 ml D12.6 mm Cryo 6/pk	1 ml	12.6 mm	Cryo Tube - Round Bottom	12

# FRONTIER™ 5515 & 5515R Rotors and Adapters

	Item number	30130874			
	Description	Rotor Angle 4 x 8-Place PCR Strip			
	Compatible with	FC5515	FC5515R		
	Max. Speed	15,000 rpm	15,000 rpm		
	Max. RCF	15,343 x g	15,343 x g		
<b>Accessories</b>					
Order No.	Description	Vol./Tube	Diameter	Tube type	No.of Tubes/Rotor
Without Adapter	Rotor Angle 4 x 8-Place PCR Strip	0.2/0.4 ml	-	8-w PCR Strip	32

	Item number	83041007			
	Description	Rotor Hematocrit 24 x Capillaries V2			
	Compatible with	FC5515	FC5515R		
	Max. Speed	13,000 rpm	-		
	Max. RCF	16,058 x g	-		
<b>Accessories</b>					
Order No.	Description	Vol./Tube	Diameter	Tube type	No.of Tubes/Rotor
Without Adapter	Rotor Hematocrit 24 x Capillaries V2	-	1.9 mm	Capillaries	24

	Item number	83041050			
	Description	Rotor Angle 24 x 2.0 ml Spin Column V1			
	Compatible with	FC5515	FC5515R		
	Max. Speed	13,500 rpm	13,500 rpm		
	Max. RCF	17,317 x g	17,317 x g		
<b>Accessories</b>					
Order No.	Description	Vol./Tube	Diameter	Tube type	No.of tubes/rotor
Without Adapter	Rotor Angle 24 x 2.0 ml Spin Column V1	2 ml	11	Spin Column	24

# FRONTIER™ 5515 & 5515R High-Speed Micro Centrifuges

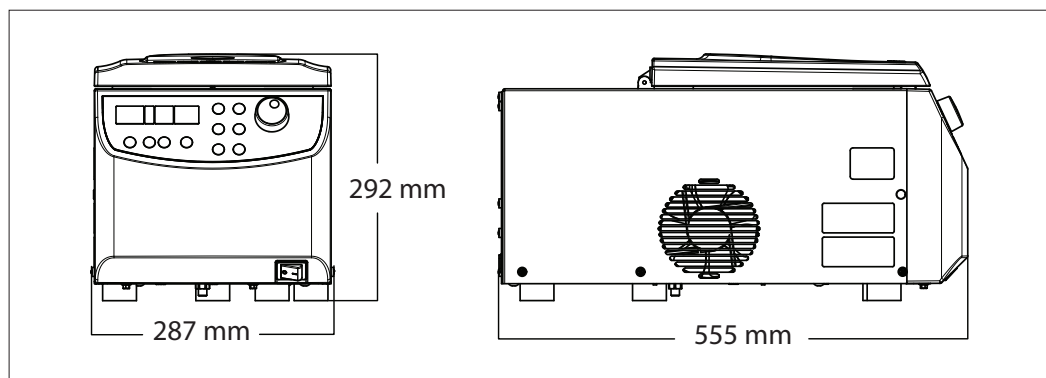
## Specifications

Model	FC5515R		FC5515	
Speed Range	200 rpm – 15,200 rpm; 10 rpm/set		200 rpm – 15,200 rpm; 10 rpm/set	
Maximum RCF	21,953 x g; 10 x g/set		21,953 x g; 10 x g/set	
Maximum Capacity (Rotor)	44 x 1.5/2.0 ml; 12 x 5 ml		44 x 1.5/2.0 ml; 12 x 5 ml	
Temperature Range	-20 ° to 40 °C, 1 °C/set		Air cool	
Running Time	10 sec to 99 hr 99 min 59 sec or continuous		10 sec to 99 hr 99 min 59 sec or continuous	
Noise Level (varies by rotor)	≤ 57 + 2 dB(A)		≤ 60 + 2 dB(A)	
AC Power	230 V/50-60 Hz	120 V/50-60 Hz	230 V/50-60 Hz	120 V/50-60 Hz
Fluctation	± 10 %	± 10 %	± 10 %	± 10 %
Current Consumption	2.4 A	5.1 A	1.3 A	2.3 A
Power Consumption	500 W	560 W	270 W	280 W
ECM	EN/IEC 61326-1 Class B emissions, Basic immunity FCC Class B emissions		EN/IEC 61326-1 Class B emissions, Basic immunity FCC Class B emissions	
Dimensions (W x D x H)	287 x 561 x 292 mm		287 x 393 x 292 mm	
Net Weight (without rotor)	35 kg		17 kg	
Shipping Dimensions (W x D x H)	400 x 660 x 520 mm		400 x 545 x 410 mm	
Shipping Weight (without rotor)	44 kg		20 kg	

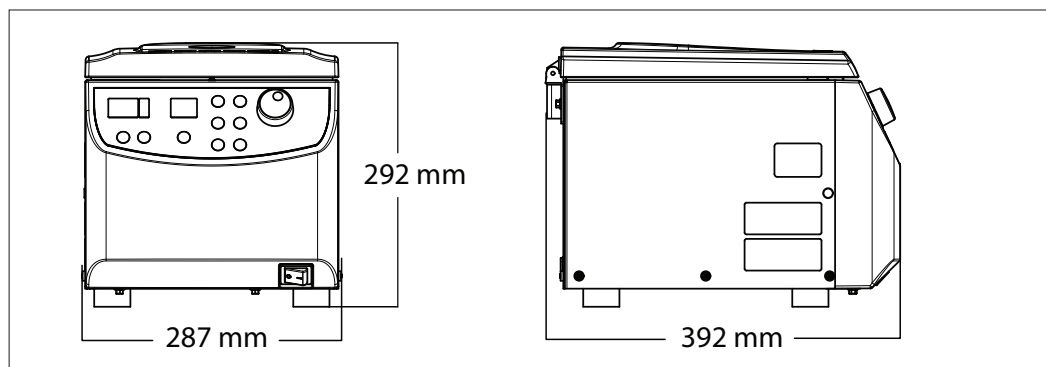
## Compliance

- **Product Safety:** IEC/EN 61010-1; IEC/EN 61010-2-020
- **Electromagnetic Compatibility:** IEC/EN 61326-1 Class B, Basic environments
- **Compliance Marks:** CE

## Outline Dimensions



Frontier™ 5515R



Frontier™ 5515

774801\_C 20230713 © Copyright OHAUS Corporation

