



# VALOR™1000

Compact Bench Scales



Dual display  
for approved models



## Reliable Food-Safe Scale for Dry Environments

With a food-safe design that is NSF-certified and supports a HACCP system, the Valor 1000 Series is a reliable choice for general food weighing. Easy-to-operate Valor 1000 scales feature two-button operation, a large backlit LCD display and up to 1 500-hour battery life.

### Unique Features:

- NSF certified, USDA-AMS accepted design supports HACCP systems, making Valor 1000 perfect for food preparation tasks. Stainless steel pans and plastic in-use covers available for extra protection.
- Save money on batteries. Energy-efficient design operates for up to 1 500 hours.
- Intuitive two-button operation allows for quick weight checking to simplify repetitive operations and increase operator efficiency.

# VALOR™ 1000 - V12P Compact Bench Scales

| Model  | V12P3   | V12P6                            | V12P15                             | V12P30                             |
|--|---|----------------------------------|------------------------------------|------------------------------------|
| Item number                                      | 30539394  | 30539395                         | 30539396                           | 30539397                           |
| Capacity x Readability<br>(Max x d non-approved) | 3 kg x 0.0005 kg<br>3 000 g x 0.5 g   | 6 kg x 0.001 kg<br>6 000 g x 1 g | 15 kg x 0.002 kg<br>15 000 g x 2 g | 30 kg x 0.005 kg<br>30 000 g x 5 g |
| Maximum Displayed Resolution                     | 1:6 000   |                                  | 1:7 500                            | 1:6 000                            |
| Model  | V12P3T-M  | V12P6T-M                         | V12P15T-M                          | V12P30T-M                          |
| Item number                                      | 30554438  | 30554439                         | 30554440                           | 30554441                           |
| Capacity X Readability<br>(Max x e approved)     | 3 kg x 0.001kg<br>3 000 g x 1 g   | 6 kg x 0.002 kg<br>6 000 g x 2 g | 15 kg x 0.005 kg<br>15 000 g x 5 g | 30 kg x 0.01 kg<br>30 000 g x 10 g |
| Weighing Units                                   | g, kg, lb, oz, lb:oz<br>For approved version g, kg available only                                       |                                  |                                    |                                    |
| Certified Resolution                             | 1:3 000   |                                  |                                    |                                    |
| Application Mode                                 | Weighing  |                                  |                                    |                                    |
| Tare Range                                       | To capacity by subtraction  |                                  |                                    |                                    |
| Stabilization Time                               | ≤2 seconds  |                                  |                                    |                                    |
| Power requirements                               | Four Type D Alkaline batteries (included), AC adapter (optional) or rechargeable battery kit (optional) |                                  |                                    |                                    |
| Calibration                                      | Digital with external weight  |                                  |                                    |                                    |
| Battery Life                                     | 1 500 hours (with backlight turned off)<br>750 hours for T models (with backlight turned off)           |                                  |                                    |                                    |
| Construction                                     | ABS plastic housing and stainless steel pan   |                                  |                                    |                                    |
| Safe Overload Capacity                           | 150% of capacity  |                                  |                                    |                                    |
| Communication                                    | Optional RS232 (available only for approved models)   |                                  |                                    |                                    |
| Specified Temperature Range                      | 0 to 40 °C  |                                  |                                    |                                    |
| Display  | Single display - LCD with white backlight<br>On T models, rear display - LCD with white backlight       |                                  |                                    |                                    |
| Display Size                                     | 25.4 mm   |                                  |                                    |                                    |
| Pan Size   | 245 x 190 mm  |                                  |                                    |                                    |
| Scale Dimensions<br>(W x D x H)                  | 260 x 270 x 122 mm  |                                  |                                    |                                    |
| Shipping Dimensions<br>(W x D x H)               | 319 x 319 x 175 mm  |                                  |                                    |                                    |
| Net Weight                                       | 2.5 kg  |                                  |                                    |                                    |
| Shipping Weight                                  | 3.1 kg  |                                  |                                    |                                    |

## Other Standard Features and Equipment

Digital with external weight , integrated level bubble and adjustable feet, selectable Auto-Off, selectable weighing units and integrated carrying handles for easy transportation

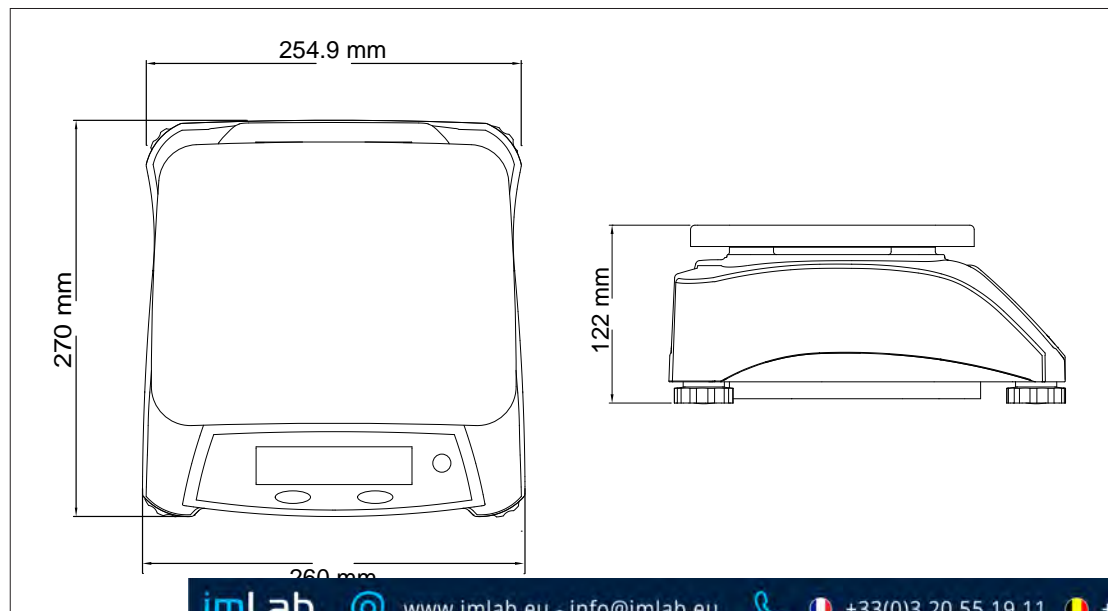
## Compliance

- **Metrology:** OIML/EC
- **Product Safety:** IEC/EN 61010-1; UL certified power supply
- **Electromagnetic Compatibility:** EN/IEC 61326-1 Class B, Basic environments
- **Food Equipment:** ANSI/NSF 169
- **Compliance Marks:** CE; NSF; WEEE

## Accessories

|  |          |  |          |
|--|----------|--|----------|
| Rechargeable Battery Kit .....                         | 30559104 | Adapter, 10W, 12DVC, Main Body .....         | 46001812 |
| In-use Cover (1) .....                                 | 30559105 | EU-UK Plug .....                             | 46001779 |
| In-use Cover (10) .....                                | 30559106 | Stainless Steel Platform, 300 x 225 mm. .... | 30559107 |
| RS232 Interface, 1.5m cable(for approved models) ..... | 30559103 |  |          |

## Outline Dimensions



76378\_D 20220320 © Copyright OHAUS Corporation

